

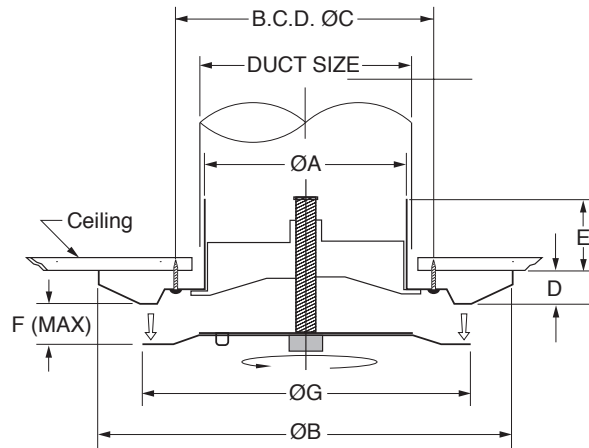
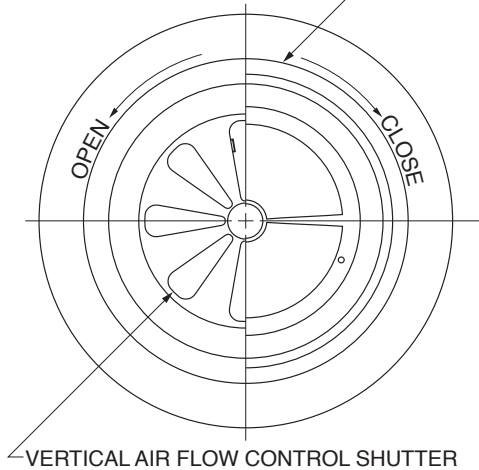
Model: TX

Residential MINI Diffuser for Horizontal and Vertical Airflow

- Variable Air Flow Control (Horizontal and Vertical)
- Omnidirectional, Low Diffusion Air Patterns
- Low Silhouette, Unobtrusive Profile
- Hidden Mounting Mechanism
- Easy Operation

- Material: Aluminum
- Standard Finish: White or Anodized

HORIZONTAL AIR FLOW CONTROL PLATE



| MODEL | DUCT SIZE | A | B | C | D | E | F | G |
|-------|-----------|-----|-----|-----|----|----|----|-----|
| TX 4 | 100 | 96 | 197 | 123 | 17 | 39 | 41 | 157 |
| TX 6 | 150 | 146 | 294 | 178 | 22 | 48 | 41 | 229 |
| TX 8 | 200 | 196 | 336 | 233 | 22 | 39 | 48 | 286 |

Dimensions are in millimeters. Product Information is Subject to Change Without Notice

JOB NAME: _____
 LOCATION: _____
 ARCHITECT: _____
 ENGINEER: _____
 CONTRACTOR: _____

SUBMITTED BY: _____

DATE: _____

Model TX
 Residential MINI Diffuser for
 Horizontal and Vertical Airflow

Form No.505T-M