



Seiho International, Inc.

# SUBMITTAL SHEET

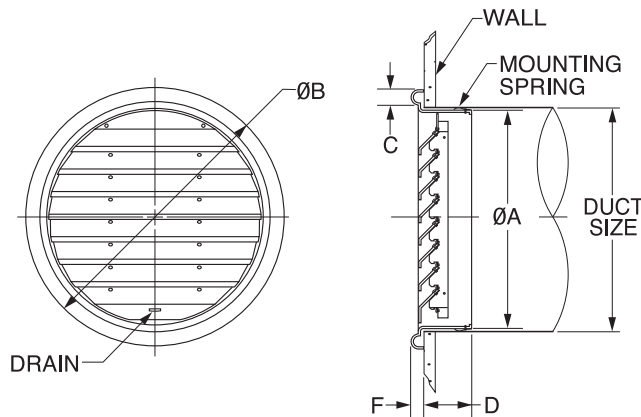
www.seiho.com

## Model: SXL

### Aluminum Vent Cap

- Fresh Air Intake/Exhaust Outlet
- High Capacity
- Optional Insect Screen (SXL-N)

- Material: Aluminum
- Standard Finish: Clear Anodized



MODEL	DUCT SIZE	A	B	C	D	F	FREE AREA
SXL 10	10	9 21/32	12 11/16	1	2 31/32	13/32	0.19 sq. ft.
SXL 12	12	11 19/32	14 21/32	1	2 31/32	13/32	0.27 sq. ft.
SXL 14	14	13 19/32	16 5/8	1	3 11/32	19/32	0.37 sq. ft.
SXL 16	16	15 9/16	18 19/32	1	3 11/32	19/32	0.49 sq. ft.

Product information is subject to change without notice. All dimensions in inches.

JOB NAME: \_\_\_\_\_  
 LOCATION: \_\_\_\_\_  
 ARCHITECT: \_\_\_\_\_  
 ENGINEER: \_\_\_\_\_  
 CONTRACTOR: \_\_\_\_\_

SUBMITTED BY: \_\_\_\_\_  
 \_\_\_\_\_  
 \_\_\_\_\_

DATE: \_\_\_\_\_  
 \_\_\_\_\_  
 \_\_\_\_\_

**Model SXL**  
Aluminum Vent Cap

Form No.403-22