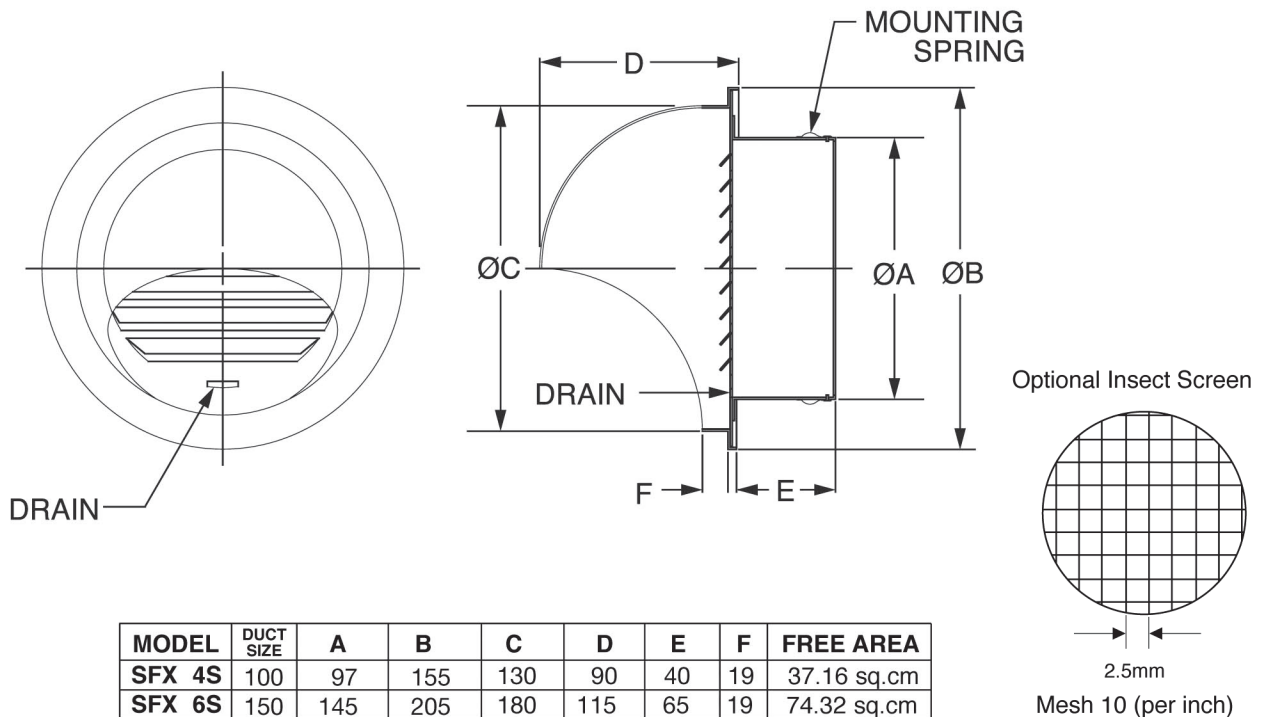


Model: SFX-S

Stainless Steel Vent Cap

- Fresh Air Intake/Exhaust Outlet
- For Interior and Exterior Location
- Optional Insect Screen (SFX-SN)

- Material: Stainless Steel
- Standard Finish: Polished



| MODEL | DUCT SIZE | A | B | C | D | E | F | FREE AREA |
|--------|-----------|-----|-----|-----|-----|----|----|-------------|
| SFX 4S | 100 | 97 | 155 | 130 | 90 | 40 | 19 | 37.16 sq.cm |
| SFX 6S | 150 | 145 | 205 | 180 | 115 | 65 | 19 | 74.32 sq.cm |

Dimensions are in millimeters. Product Information is Subject to Change Without Notice

JOB NAME: _____
 LOCATION: _____
 ARCHITECT: _____
 ENGINEER: _____
 CONTRACTOR: _____

SUBMITTED BY: _____

DATE: _____

Model SFX-S
 Stainless Steel Vent Cap

Form No.364-22-MS