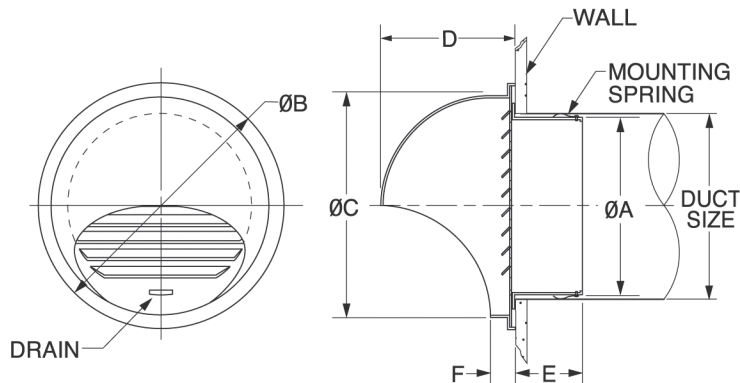


Model: SFX

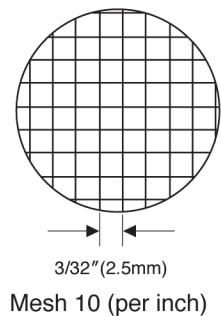
Aluminum Vent Cap

- Fresh Air Intake/Exhaust Outlet
- For Interior and Exterior Location
- Optional Insect Screen (SFX-N)

- Material: Aluminum
- Standard Finish: Clear Anodized



Optional Insect Screen



MODEL	DUCT SIZE	A	B	C	D	E	F	FREE AREA
SFX 3	3	2 ²⁹ / ₃₂	4 ³ / ₄	3 ²⁹ / ₃₂	2 ¹¹ / ₁₆	1 ⁹ / ₁₆	⁹ / ₁₆	0.02 sq. ft.
SFX 4	4	3 ¹³ / ₁₆	6 ³ / ₃₂	5 ¹ / ₈	3 ¹⁷ / ₃₂	1 ⁹ / ₁₆	³ / ₄	0.04 sq. ft.
SFX 5	5	4 ³ / ₄	6 ²⁹ / ₃₂	5 ²⁹ / ₃₂	3 ¹⁵ / ₁₆	1 ³¹ / ₃₂	³ / ₄	0.05 sq. ft.
SFX 6	6	5 ²³ / ₃₂	8 ¹ / ₁₆	7 ¹ / ₁₆	4 ¹⁷ / ₃₂	2 ⁹ / ₁₆	³ / ₄	0.08 sq. ft.
SFX 7	7	6 ¹¹ / ₁₆	9 ¹⁵ / ₃₂	8 ⁹ / ₃₂	5 ¹ / ₈	2 ⁹ / ₁₆	³ / ₄	0.11 sq. ft.
SFX 8	8	7 ¹¹ / ₁₆	10 ⁵ / ₈	9 ⁷ / ₁₆	5 ²³ / ₃₂	2 ³¹ / ₃₂	³ / ₄	0.14 sq. ft.
SFX 10	10	9 ²¹ / ₃₂	13	11 ¹³ / ₁₆	6 ²⁹ / ₃₂	3 ¹¹ / ₃₂	³ / ₄	0.24 sq. ft.
SFX 12	12	11 ³⁹ / ₆₄	14 ¹¹ / ₆₄	13	7 ³¹ / ₆₄	2 ³ / ₄	³ / ₄	0.31 sq. ft.

Product information is subject to change without notice. All dimensions in inches.

JOB NAME: _____
 LOCATION: _____
 ARCHITECT: _____
 ENGINEER: _____
 CONTRACTOR: _____

SUBMITTED BY: _____

DATE: _____

Model SFX
 Aluminum Vent Cap

Form No.402-23S