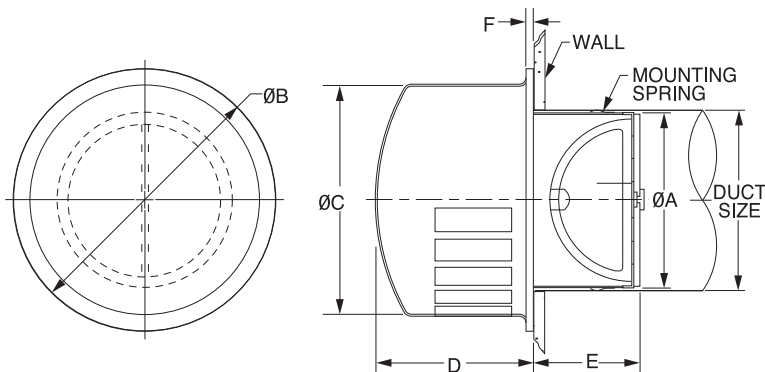


Model: **RCC-S**

Dryer Vent

- Standard with Backdraft Damper
- Large Vents Reduce Clogging
- Weather Resistant

- Material: Stainless Steel
- Standard Finish: Polished



MODEL	DUCT SIZE	A	B	C	D	E	F	FREE AREA
RCC 4S	4	3 ²⁵ / ₃₂	6 1/2	5 1/2	3 3/4	2 5/32	1/4	0.07 sq. ft.
RCC 6S	6	5 ²³ / ₃₂	8 ¹⁷ / ₃₂	7 ¹⁵ / ₃₂	5 1/8	3 3/4	1/4	0.16 sq. ft.

Product information is subject to change without notice. All dimensions in inches.

JOB NAME: _____
 LOCATION: _____
 ARCHITECT: _____
 ENGINEER: _____
 CONTRACTOR: _____

SUBMITTED BY: _____

DATE: _____

Model RCC-S
 Dryer Vent

Form No.442-22