



Seiho International, Inc.

# SUBMITTAL SHEET

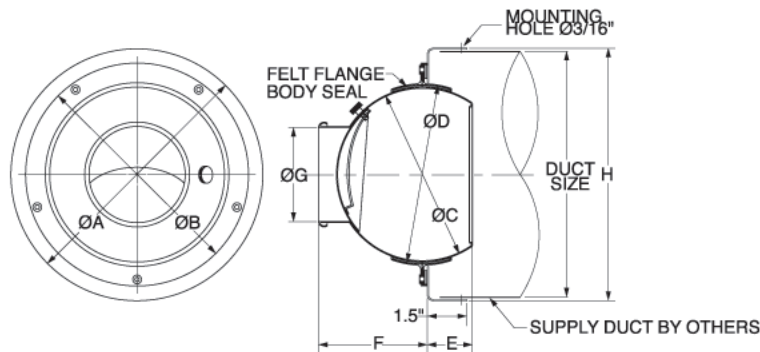
www.seiho.com

## Model: PK-R (Exposed Duct Mounted)

### SpotDiffuser with Round Duct Adapter

- Duct Size=PK-R Size Plus 2"-6"
- Exposed Duct/Surface Mounted (Duct Flanges not Required)

- Material: Aluminum
- Standard Finish: Clear Anodized



MODEL	DUCT SIZE	A	B	C	D	E	F	G	H
PK 6R	8"	8 11/32	7 15/32	5 29/32	6 7/32	1 1/2	3 11/16	2 15/16	8 1/4
PK 7R	10"	10 3/8	8 3/32	7	7 9/32	1 1/2	4 3/8	3 17/32	10 1/4
PK 8R	11"	11 3/8	9 27/32	7 7/8	8 1/32	1 23/32	4 23/32	3 15/16	11 1/4
PK 10R	14"	14 3/8	12 3/4	10 1/2	10 7/8	1 31/32	6 27/32	5 1/2	14 1/4
PK 12R	16"	16 3/8	14 9/32	12	12 3/8	2 15/32	7 7/8	6 1/2	16 1/4
PK 16R	20"	20 3/8	18 1/2	16 5/32	16 1/2	3 5/8	9 3/4	9 1/16	20 1/4
PK 18R	24"	24 3/8	21 1/16	16 1/2	18 27/32	3 3/4	11 5/8	10 1/4	24 1/4
PK 20R	24"	24 3/8	21 1/16	18 1/2	18 27/32	3 3/4	11 5/8	12 7/32	24 1/4

Product information is subject to change without notice. All dimensions in inches.

JOB NAME: _____	SUBMITTED BY: _____	DATE: _____	<b>Model PK-R</b> SpotDiffuser with Round Duct Adapter (Exposed Duct Mounted)
LOCATION: _____			
ARCHITECT: _____			Form No.200-22
ENGINEER: _____			
CONTRACTOR: _____			