

Model: PKP SpotPac

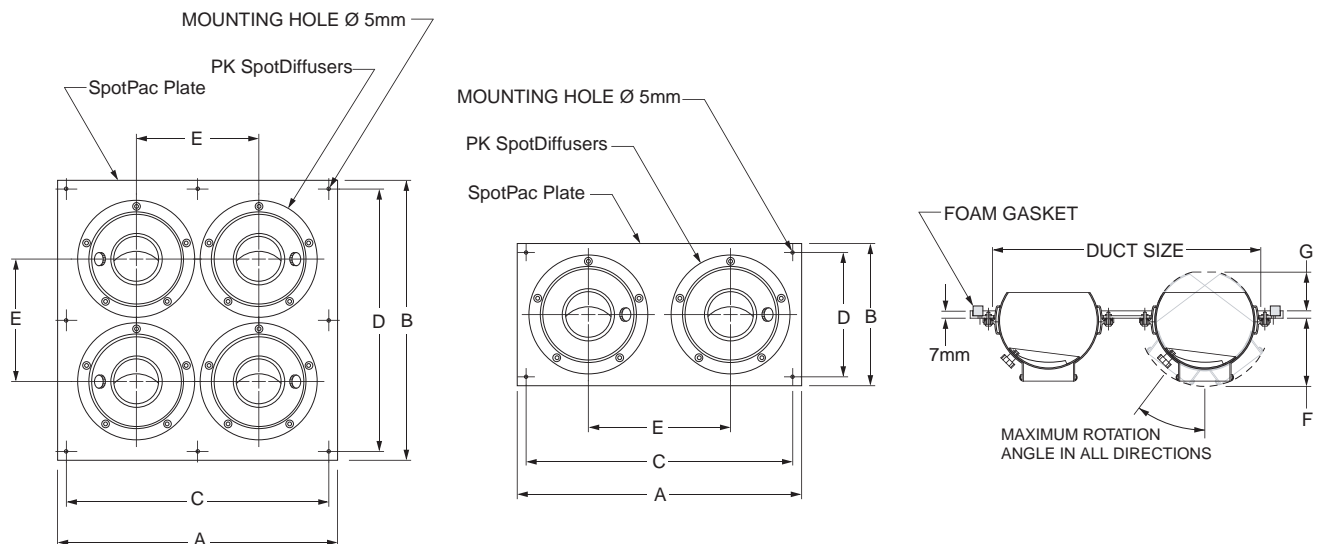
- Solid Aluminum Rotatable Body
- Individually Adjustable SpotDiffusers
- Precision Air Flow Adjustment
- Up to 4 Diffusers per Panel

● Material

SpotDiffuser-Aluminum
SpotPac Plate-Stainless Steel (304)

● Standard Finish

SpotDiffuser-Anodized
SpotPac Plate-Brushed



MODEL	DUCT SIZE	PK SIZE X QTY.	A	B	C	D	E	F	G	MAX. ROTATION ANGLE
PKP 32-104	250 X100	PK 3 X 2	305	152	279	127	152	57	48	33°
PKP 42-126	300 X150	PK 4 X 2	356	203	330	178	178	79	37	41°
PKP 52-146	350 X150	PK 5 X 2	406	203	381	178	203	90	52	44°
PKP 62-168	400 X200	PK 6 X 2	457	254	432	229	229	102	62	43°
PKP 72-189	450 X225	PK 7 X 2	508	279	483	254	237	91	52	43°
PKP 82-2010	500 X250	PK 8 X 2	559	305	533	279	254	91	52	33°
PKP 34-1010	250 X250	PK 3 X 4	305	305	279	279	127	57	19	33°
PKP 44-1212	300 X300	PK 4 X 4	356	356	330	330	152	74	37	41°
PKP 54-1414	350 X350	PK 5 X 4	406	406	381	381	178	90	52	44°
PKP 64-1616	400 X400	PK 6 X 4	457	457	432	432	203	102	62	43°
PKP 74-1818	450 X450	PK 7 X 4	508	508	483	483	237	91	52	43°
PKP 84-2020	500 X500	PK 8 X 4	559	559	533	533	254	91	52	33°

Dimensions are in millimeters. Product Information is Subject to Change Without Notice

JOB NAME: _____	SUBMITTED BY: _____	DATE: _____	Model PKP SpotPac
LOCATION: _____			
ARCHITECT: _____			Form No.720P-M
ENGINEER: _____			
CONTRACTOR: _____			