

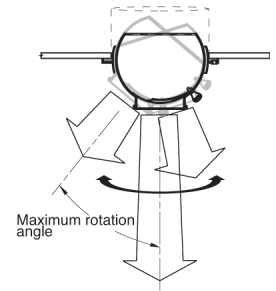
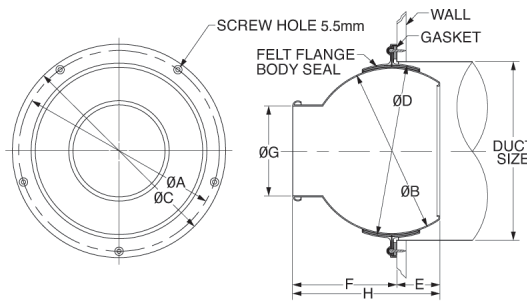
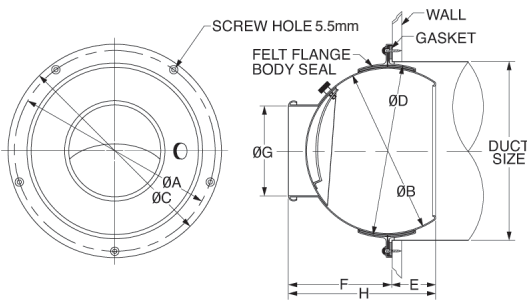
## Model: PK/PK-E Aluminum SpotDiffuser

- Solid Aluminum Rotatable Body
- Directional Air Stream Control
- Precision Air Flow Adjustment (PK)
- Double Felt Flange-Body Seal
- Closed Cell Neoprene Felt Mounting Gasket

- Material: Aluminum
- Standard Finish: Anodized

Model: **PK**  
(with Damper)

Model: **PK-E**  
(without Damper)



MODEL		DUCT SIZE	A	B	C	D	E	F	G	H	SCREW HOLES	WEIGHT	MAX. ROTATION ANGLE
PK 3	PK 3E	85	97	75	115	82	17	53	38	70	3	130g	33°
PK 4	PK 4E	110	122	100	140	107	24	65	50	89	4	180g	41°
PK 5	PK 5E	140	152	130	170	137	33	82	65	115	5	340g	42°
PK 6	PK 6E	160	172	150	190	158	38	94	75	132	5	370g	43°
PK 7	PK 7E	190	213	178	231	185	38	111	90	149	5	460g	42°
PK 8	PK 8E	208	232	200	250	204	44	120	100	164	5	580g	42°
PK 10	PK 10E	280	304	267	324	276	50	174	140	224	5	950g	40°
PK 12	PK 12E	318	342	305	363	314	63	200	165	263	5	1180g	39°
PK 16	PK 16E	425	451	410	470	419	92	248	230	340	8	2000g	40°
PK 18	PK 18E	486	470	470	535	479	95	295	260	390	8	2630g	38°
PK 20	PK 20E	486	470	470	535	479	95	295	310	390	8	2730g	34°

Dimensions are in millimeters. Product Information is Subject to Change Without Notice

JOB NAME: \_\_\_\_\_  
 LOCATION: \_\_\_\_\_  
 ARCHITECT: \_\_\_\_\_  
 ENGINEER: \_\_\_\_\_  
 CONTRACTOR: \_\_\_\_\_

SUBMITTED BY: \_\_\_\_\_

DATE: \_\_\_\_\_

**Model PK/PK-E**  
Aluminum SpotDiffuser

Form No.710P-M