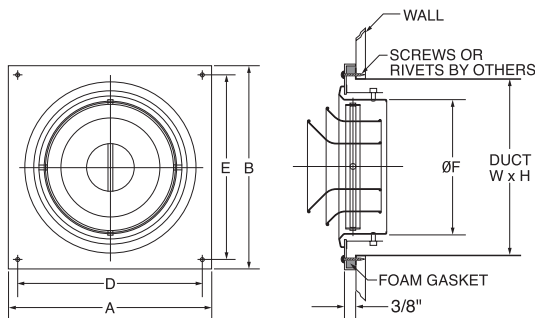


Model: NX-P Reversible TurboNozzle Panel

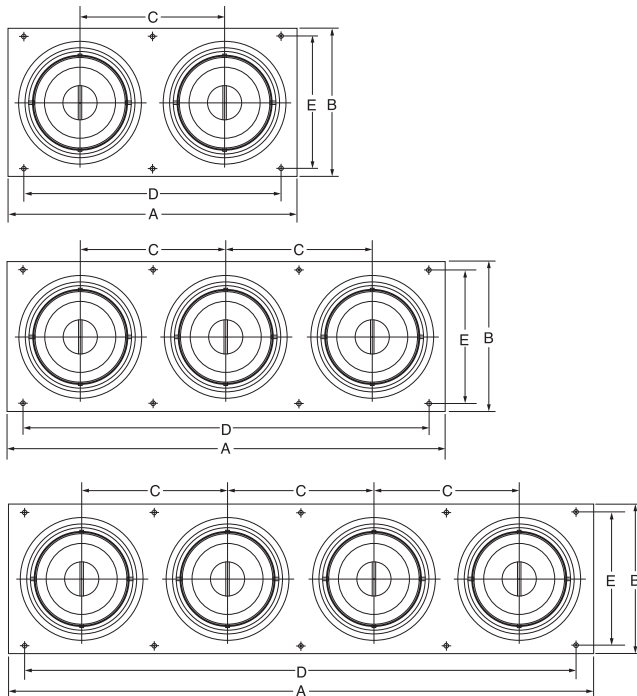
- Reversible Center Cones for Narrow or Wide Jet Air Pattern
- Individually Adjustable TurboNozzles
- Up to 4 Diffusers per Panel

- **Material**
TurboNozzle-Aluminum
Plate-Stainless Steel (304)
- **Standard Finish**
TurboNozzle-Anodized
Plate-Brushed



MODEL	DUCT SIZE		NX SIZE X QTY.	A	B	D	E	F
	SQUARE W X H	ROUND (Ø) INCHES						
NX 6P	200x200	200	NX 6 X 1	241	241	216	216	140
NX 8P	250x250	250	NX 8 X 1	305	305	279	279	190
NX10P	300x300	300	NX10 X 1	356	356	318	318	240
NX12P	350x350	350	NX12 X 1	432	432	394	394	291
NX14P	400x400	400	NX14 X 1	483	483	445	445	341
NX16P	450x450	450	NX16 X 1	533	533	495	495	391

Dimensions are in millimeters. Product Information is Subject to Change Without Notice



MODEL	DUCT SIZE WxH	NX SIZE X QTY.	A	B	C	D	E	F
NX 6-2P	445x200	NX 6 X 2	483	241	241	432	216	140
NX 6-3P	686x200	NX 6 X 3	724	241	241	673	216	140
NX 6-4P	927x200	NX 6 X 4	965	241	241	914	216	140
NX 8-2P	559x250	NX 8 X 2	610	305	305	559	279	190
NX 8-3P	864x250	NX 8 X 3	914	305	305	864	279	190
NX 8-4P	1168x250	NX 8 X 4	1219	305	305	1168	279	190
NX10-2P	660x300	NX10 X 2	711	356	356	635	318	240
NX10-3P	1016x300	NX10 X 3	1067	356	356	991	318	240
NX10-4P	1372x300	NX10 X 4	1422	356	356	1346	318	240
NX12-2P	787x350	NX12 X 2	864	432	432	787	394	291
NX12-3P	1219x350	NX12 X 3	1295	432	432	1219	394	291
NX12-4P	1651x350	NX12 X 4	1727	432	432	1651	394	291
NX14-2P	889x400	NX14 X 2	965	483	483	889	445	341
NX14-3P	1372x400	NX14 X 3	1448	483	483	1372	445	341
NX14-4P	1854x400	NX14 X 4	1930	483	483	1854	445	341
NX16-2P	991x450	NX16 X 2	1067	533	533	991	495	391
NX16-3P	1524x450	NX16 X 3	1600	533	533	1524	495	391
NX16-4P	2057x450	NX16 X 4	2134	533	533	2057	495	391

Dimensions are in millimeters. Product Information is Subject to Change Without Notice

JOB NAME: _____
 LOCATION: _____
 ARCHITECT: _____
 ENGINEER: _____
 CONTRACTOR: _____

SUBMITTED BY: _____

DATE: _____

Model NX-P
Reversible TurboNozzle Panel

Form No.764N-M-B