



Seiho International, Inc.

# SUBMITTAL SHEET

www.seiho.com

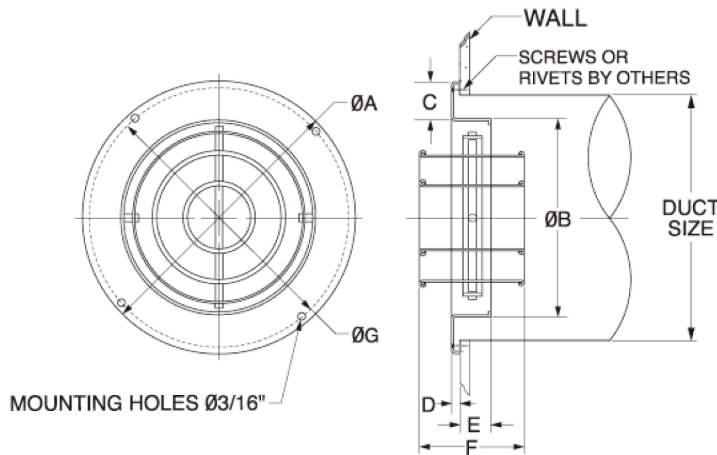
## Model: **NTX** (Surface Mounted)

### Aluminum TurboNozzle

- Surface Mounted
- Adjustable Air Direction
- Easy Installation

- Material: Aluminum
- Standard Finish: Clear Anodized

Note: The nominal size (Measurement B) of NTX is 2" smaller than the duct size it mounts to. (Ex. NTX6 is designed to fit a 8" duct.)



MODEL	DUCT SIZE	A	B	C	D	E	F	G
NTX 4	6"	8	4	2	3/8	1 5/8	2	7
NTX 6	8"	10	6	2	3/8	1 5/8	3 7/32	9
NTX 8	10"	12	8	2	3/8	1 5/8	4 1/4	11
NTX 10	12"	14	10	2	3/8	1 5/8	5 9/32	13
NTX 12	14"	16	12	2	3/8	1 5/8	5 7/32	15
NTX 14	16"	18	14	2	3/8	1 5/8	5 7/32	17
NTX 16	18"	20	16	3	3/8	1 5/8	5 7/32	19
NTX 20	22"	24	20	1	3/8	2 5/8	7 3/16	23
NTX 24	26"	28	24	2	3/8	2 5/8	7 3/16	27

Product information is subject to change without notice. All dimensions in inches.

JOB NAME: _____ LOCATION: _____ ARCHITECT: _____ ENGINEER: _____ CONTRACTOR: _____	SUBMITTED BY: _____  	DATE: _____  	<h3>Model NTX</h3> <p>TurboNozzle (Surface Mounted)</p> <hr/> Form No.280-22b
--	-----------------------------	---------------------	---