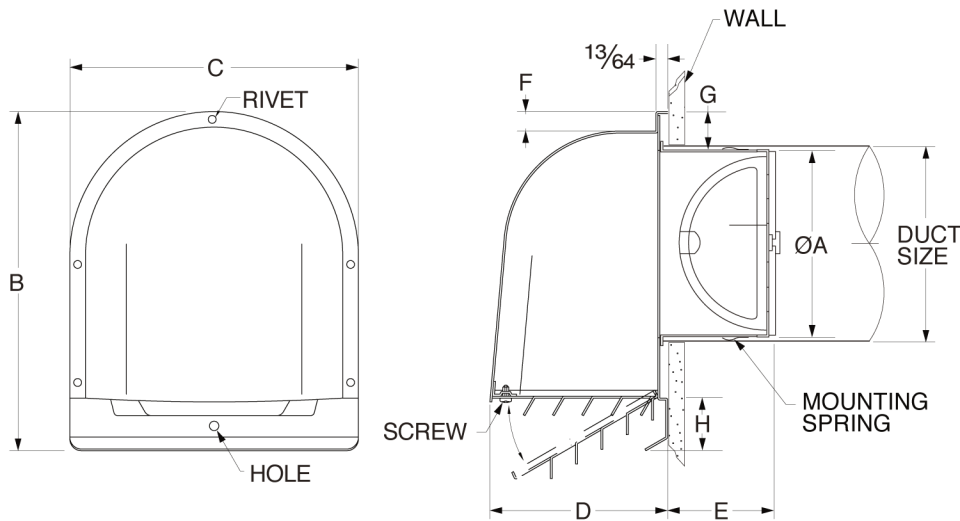


Aluminum Dryer Vent Cap Model:CFXC

- Standard with Backdraft Damper
- Large Vents Reduce Clogging
- All Aluminum Construction
- Weather Resistant

- Material:Aluminum
- Standard Finish: Clear Anodized (Custom Colors Available)



MODEL	DUCT SIZE	A	B	C	D	E	F	G	H	FREE AREA
CFXC 4	4"	3 13/16	7 3/16	5 7/8	3 7/8	2 5/32	7/16	25/32	1 3/8	0.03sq.ft
CFXC 6	6"	5 29/32	9 3/8	7 29/32	5 7/32	3 3/4	1 5/32	25/32	1 3/8	0.08sq.ft

Dimensions are in inches. Product information is subject to change without notice.

JOB NAME: _____
 LOCATION: _____
 ARCHITECT: _____
 ENGINEER: _____
 CONTRACTOR: _____

SUBMITTED BY: _____

DATE: _____

Model:CFXC
 Aluminum Dryer Vent Cap

Form No. 922-50