



Seiho International, Inc.

SUBMITTAL SHEET

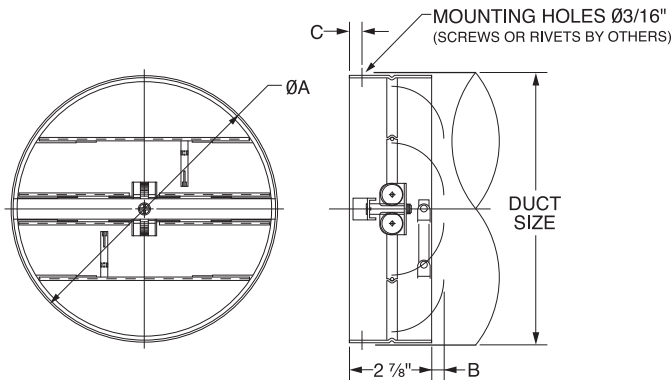
www.seiho.com

Model: BS

Butterfly Damper

- Multiple Blades
- High Capacity
- All Steel Construction

- Heavy Gauge Steel
- Standard Finish: Black



MODEL	DUCT SIZE	A	B	C
BS 6	6	5 11/16	22/32	22/32
BS 8	8	7 21/32	3/32	22/32
BS 10	10	9 5/8	19/32	22/32
BS 12	12	11 5/8	1 1/16	22/32
BS 14	14	13 5/8	1 9/16	22/32
BS 16	16	15 9/16	2 1/32	22/32
BS 20	20	19 1/2	3 1/32	22/32
BS 24	24	23 7/16	4 1/32	22/32

Product information is subject to change without notice. All dimensions in inches.

JOB NAME: _____
 LOCATION: _____
 ARCHITECT: _____
 ENGINEER: _____
 CONTRACTOR: _____

SUBMITTED BY: _____

DATE: _____

Model BS
 Butterfly Damper

Form No.382-22