



Model: **NX-P**

MATERIAL

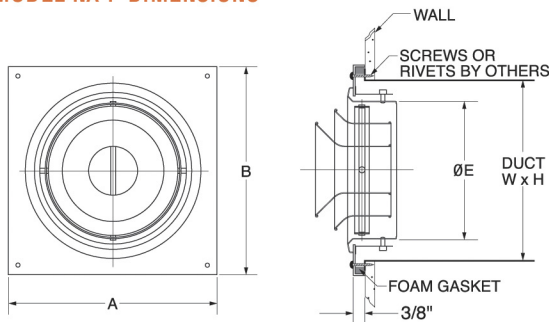
- TurboNozzle - Aluminum
- Plate - Stainless Steel (304)

FINISH

- TurboNozzle - Clear Anodized
- Plate - Brushed
- Custom Colors Available

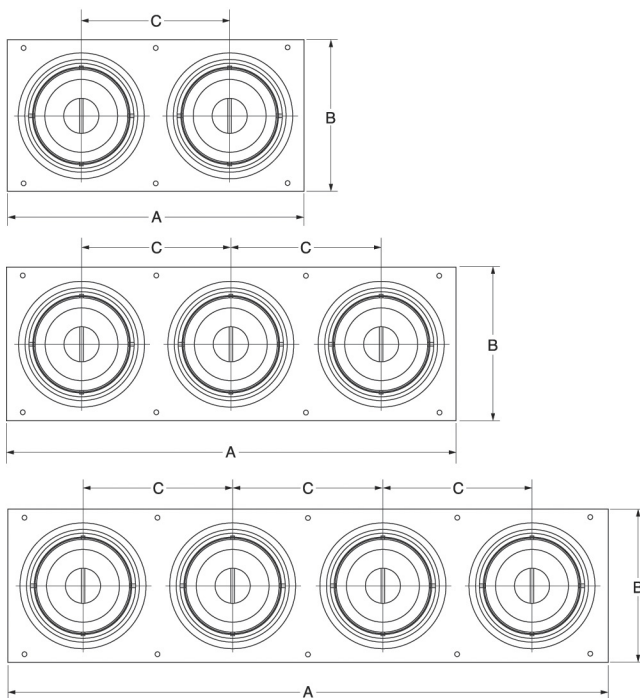
The new NX Reversible TurboNozzle is now available in a panel mounted design. Select from one, two, three, or four NX's per panel. Perfect for retro-fitting an existing air grilles, or for new construction. For wall or ceiling mounting. Construction consists of stainless steel and heavy gauge aluminum. Finishes are clear anodized nozzle with brushed panel. Custom size panels are available. Made in U.S.A.

MODEL NX-P DIMENSIONS



MODEL	DUCT SIZE		A	B	E
	SQUARE W x H	ROUND (Ø) INCHES			
NX 6P	8 x 8	8	9 ½	9 ½	6
NX 8P	10 x 10	10	12	12	8
NX 10P	12 x 12	12	14	14	10
NX 12P	14 x 14	14	17	17	12
NX 14P	16 x 16	16	19	19	14
NX 16P	18 x 18	18	21	21	16

Product information is subject to change without notice. All dimensions in inches.



MODEL	DUCT SIZE W x H	NX SIZE x QTY.	A	B	C
NX 6-2P	17 ½ x 8	NX 6 x 2	19	9 ½	9 ½
NX 6-3P	27 x 8	NX 6 x 3	28 ½	9 ½	9 ½
NX 6-4P	36 ½ x 8	NX 6 x 4	38	9 ½	9 ½
NX 8-2P	22 x 10	NX 8 x 2	24	12	12
NX 8-3P	34 x 10	NX 8 x 3	36	12	12
NX 8-4P	46 x 10	NX 8 x 4	48	12	12
NX 10-2P	26 x 12	NX 10 x 2	28	14	14
NX 10-3P	40 x 12	NX 10 x 3	42	14	14
NX 10-4P	54 x 12	NX 10 x 4	56	14	14
NX 12-2P	31 x 14	NX 12 x 2	34	17	17
NX 12-3P	48 x 14	NX 12 x 3	51	17	17
NX 12-4P	65 x 14	NX 12 x 4	68	17	17
NX 14-2P	35 x 16	NX 14 x 2	38	19	19
NX 14-3P	54 x 16	NX 14 x 3	57	19	19
NX 14-4P	73 x 16	NX 14 x 4	76	19	19
NX 16-2P	39 x 18	NX 16 x 2	42	21	21
NX 16-3P	60 x 18	NX 16 x 3	63	21	21
NX 16-4P	81 x 18	NX 16 x 4	84	21	21

Product information is subject to change without notice. All dimensions in inches.