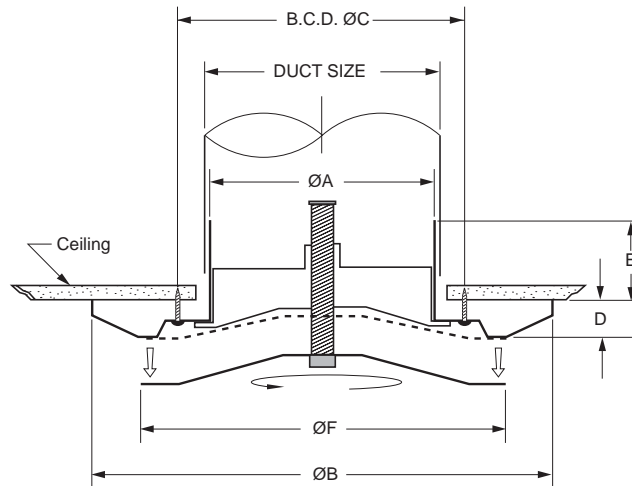
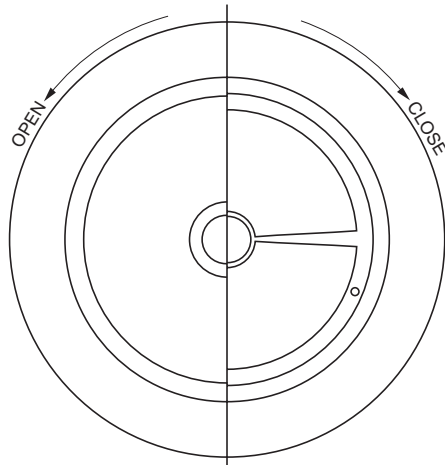


## Model: TT

### Adjustable Volume Control MINI Ceiling Diffuser

- Infinite Adjustable Core for Volume Control
- Omnidirectional, Low Diffusion Air Patterns
- Low Silhouette, Unobtrusive Profile
- Hidden Mounting Mechanism

- Material: Aluminum
- Standard Finish: White or Anodized



MODEL	DUCT SIZE	A	B	C	D	E	F
TT 4	100	96	197	123	17	39	157
TT 6	150	146	294	178	22	48	229
TT 8	200	196	336	233	22	39	286

Dimensions are in millimeters. Product Information is Subject to Change Without Notice

JOB NAME: \_\_\_\_\_  
 LOCATION: \_\_\_\_\_  
 ARCHITECT: \_\_\_\_\_  
 ENGINEER: \_\_\_\_\_  
 CONTRACTOR: \_\_\_\_\_

SUBMITTED BY: \_\_\_\_\_

DATE: \_\_\_\_\_

**Model TT**  
 Adjustable Volume Control  
 MINI Ceiling Diffuser

Form No.501T-M