



Seiho International, Inc.

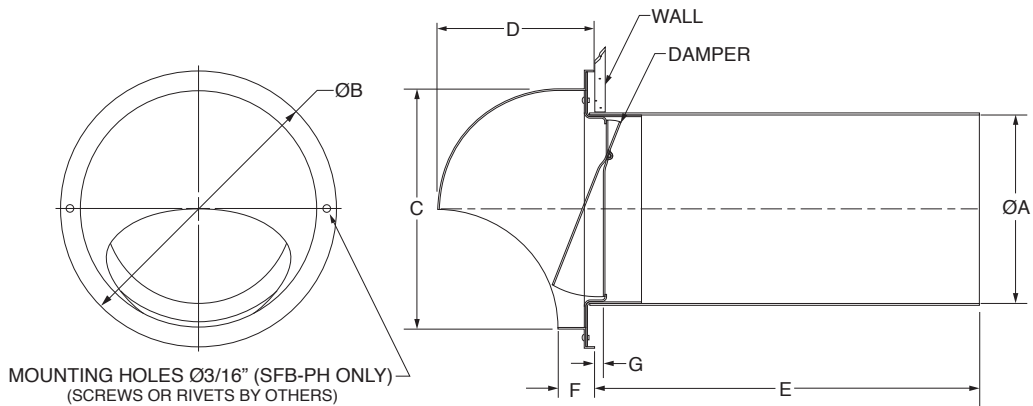
SUBMITTAL SHEET

www.seiho.com

Model: **SFB-P/SFB-PH** Dryer Vent

- Standard with Back-Draft Flapper Damper
- With Heavy Duty 8 1/2" Long Aluminum Pipe
- Large Free Area Reduces Clogging
- Ø3/16" Mounting Holes (SFB-PH)

- Material: Aluminum
- Standard Finish: Clear Anodized



MODEL	A	B	C	D	E	F	G	FREE AREA
SFB 4P/SFB 4PH	4	6 3/32	5 1/8	3 17/32	8 1/2	1	9/32	0.056 sq.ft.
SFB 6P/SFB 6PH	6	8 3/32	7 3/32	4 17/32	8 1/2	1	9/16	0.140 sq.ft.

Product information is subject to change without notice. All dimensions in inches.

JOB NAME: _____
 LOCATION: _____
 ARCHITECT: _____
 ENGINEER: _____
 CONTRACTOR: _____

SUBMITTED BY: _____

DATE: _____

Model SFB-P/SFB-PH
Dryer Vent

Form No.487-26-b