



Seiho International, Inc.

SUBMITTAL SHEET

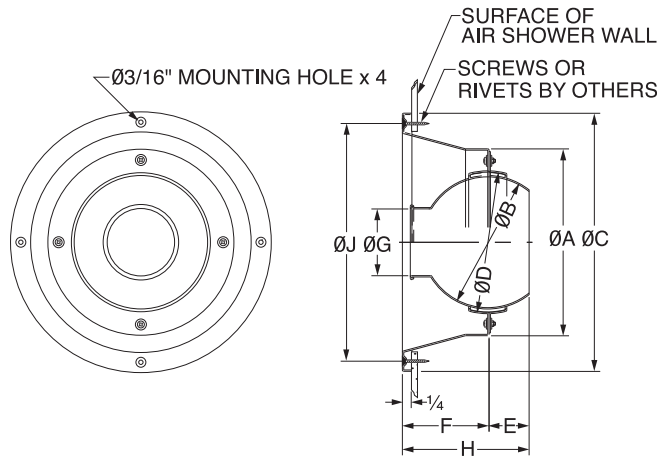
www.seiho.com

Model: PK-A (without Damper)

Air Shower Nozzle (for Cleanroom)

- Specifically Designed for Air Shower Application
- Anodized Aluminum construction for Corrosion Protection

- Material: Aluminum
- Standard Finish: Clear Anodized



MODEL	PK SIZE	A	B	C	D	E	F	G	H	J
PK 3A	PK 3	4 5/16	2 15/16	6 3/16	3 7/32	21/32	2 3/16	1 1/2	2 27/32	5 19/32
PK 4A	PK 4	5 5/16	3 15/16	7 9/32	4 7/32	15/16	2 3/4	1 31/32	3 11/16	6 11/16

Product information is subject to change without notice. All dimensions in inches.

JOB NAME: _____
 LOCATION: _____
 ARCHITECT: _____
 ENGINEER: _____
 CONTRACTOR: _____

SUBMITTED BY: _____

DATE: _____

Model PK-A
 Air Shower Nozzle
 (for Cleanroom)

Form No.192-22