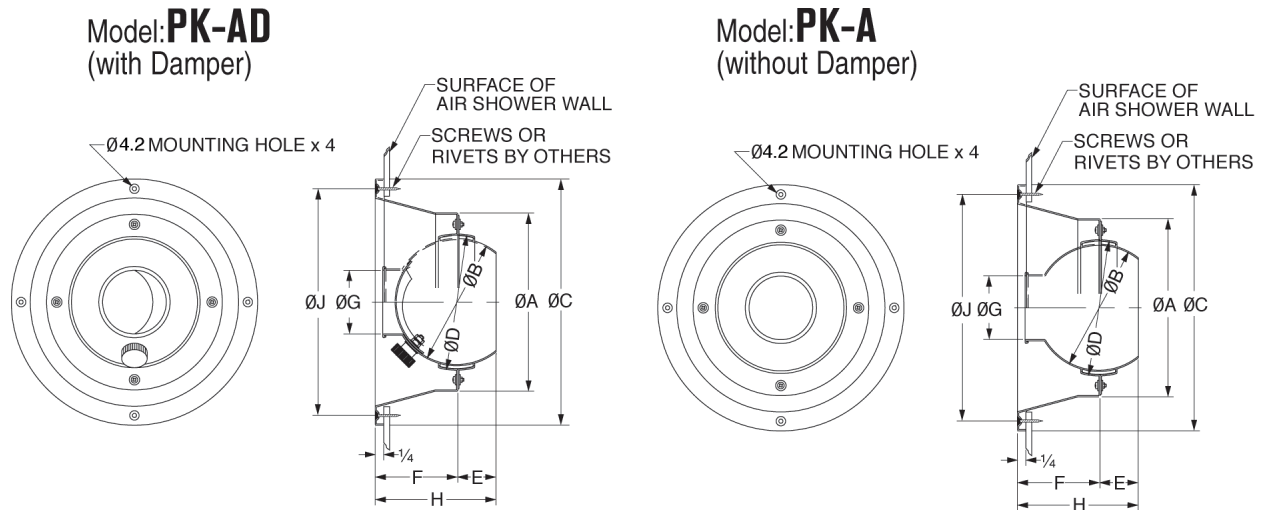


## Model: PK-A/PK-AD

### Air Shower SpotDiffuser™

- Specifically Designed for Air Shower Application
- Anodized Aluminum Construction for Corrosion Protection
- Adjustable Volume Control (PK-AD)

- Material: Aluminum
- Standard Finish: Anodized



MODEL		PK SIZE	A	B	C	D	E	F	G	H	J
PK 3AD	PK 3A	PK 3	110	75	157	82	17	55	38	72	142
PK 4AD	PK 4A	PK 4	135	100	185	107	24	70	50	94	170

Dimensions are in millimeters. Product Information is Subject to Change Without Notice

JOB NAME: \_\_\_\_\_  
 LOCATION: \_\_\_\_\_  
 ARCHITECT: \_\_\_\_\_  
 ENGINEER: \_\_\_\_\_  
 CONTRACTOR: \_\_\_\_\_

SUBMITTED BY: \_\_\_\_\_

DATE: \_\_\_\_\_

**Model PK-A/PK-AD**  
 Air Shower SpotDiffuser™

Form No.7210P/7215P-M