



Seiho International, Inc.

SUBMITTAL SHEET

www.seiho.com

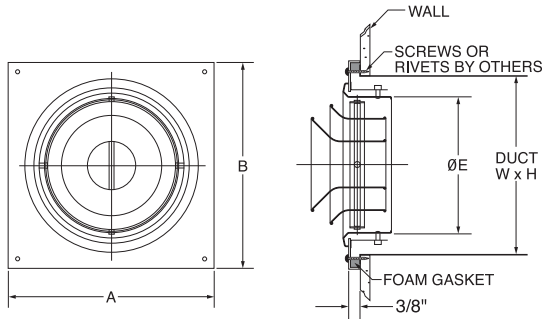
Model: NX-P

Reversible TurboNozzle Panel

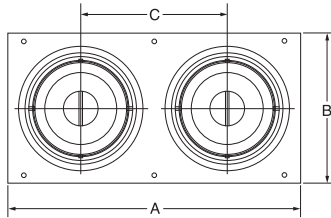
- Available up to 4 NXs per Panel
- Reversible Center Cones for Narrow or Wide Jet Air Pattern

● **Material:**
TurboNozzle-Aluminum
Plate-Stainless Steel (304)

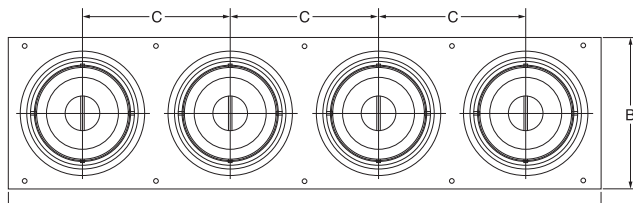
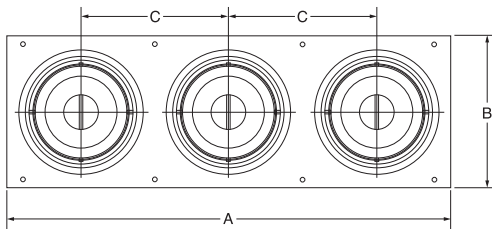
● **Standard Finish:**
TurboNozzle-Clear Anodized
Plate-Brushed
Custom Colors Available



MODEL	DUCT SIZE		A	B	ØE
	SQUARE W x H	ROUND (Ø) INCHES			
NX 6P	8x8	8	9.5	9.5	6
NX 8P	10x10	10	12	12	8
NX 10P	12x12	12	14	14	10
NX 12P	14x14	14	17	17	12
NX 14P	16x16	16	19	19	14
NX 16P	18x18	18	21	21	16



MODEL	DUCT SIZE WxH	NT SIZE X QTY.	A	B	C
NX 6-2P	17.5x8	NX 6 X 2	19	9.5	9.5
NX 6-3P	27x8	NX 6 X 3	28.5	9.5	9.5
NX 6-4P	36.5x8	NX 6 X 4	38	9.5	9.5
NX 8-2P	22x10	NX 8 X 2	24	12	12
NX 8-3P	34x10	NX 8 X 3	36	12	12
NX 8-4P	46x10	NX 8 X 4	48	12	12
NX10-2P	26x12	NX10 X 2	28	14	14
NX10-3P	40x12	NX10 X 3	42	14	14
NX10-4P	54x12	NX10 X 4	56	14	14
NX12-2P	31x14	NX12 X 2	34	17	17
NX12-3P	48x14	NX12 X 3	51	17	17
NX12-4P	65x14	NX12 X 4	68	17	17
NX14-2P	35x16	NX14 X 2	38	19	19
NX14-3P	54x16	NX14 X 3	57	19	19
NX14-4P	73x16	NX14 X 4	76	19	19
NX16-2P	39x18	NX16 X 2	42	21	21
NX16-3P	60x18	NX16 X 3	63	21	21
NX16-4P	81x18	NX16 X 4	84	21	21



Product information is subject to change without notice. All dimensions in inches.

JOB NAME: _____
 LOCATION: _____
 ARCHITECT: _____
 ENGINEER: _____
 CONTRACTOR: _____

SUBMITTED BY: _____

DATE: _____

Model NX-P
 Reversible TurboNozzle Panel

Form No.320-22