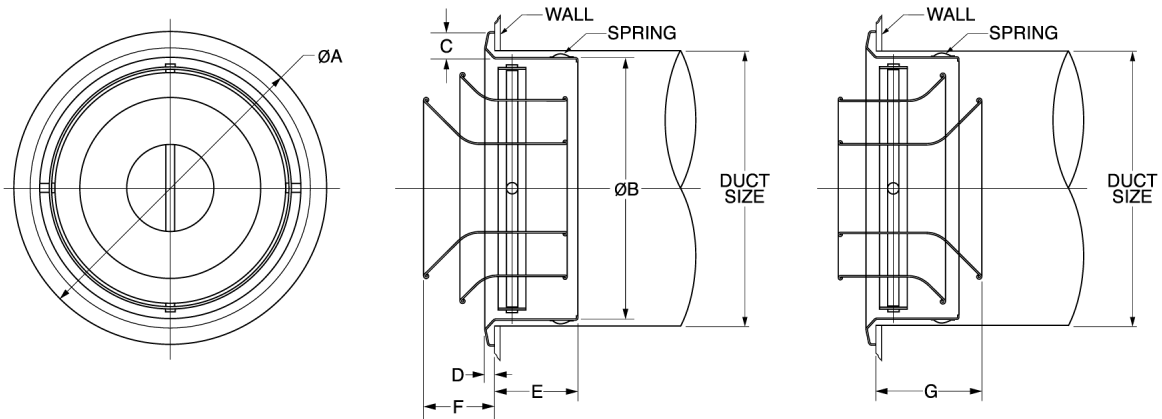


Model: NX

Aluminum Reversible TurboNozzle

- Reversible Center Cones for Narrow or Wide Jet Air Pattern
- Heavy Gage Aluminum Body
- Adjustable Air Direction
- Anodized Finish for Rust Protection

- Material: Aluminum
- Standard Finish: Anodized



| MODEL | DUCT SIZE | A | B | C | D | E | F | G |
|-------|-----------|-----|-----|----|----|-----|-----|-----|
| NX 6 | 150 | 188 | 137 | 25 | 10 | 64 | 29 | 64 |
| NX 8 | 200 | 234 | 190 | 25 | 10 | 64 | 51 | 78 |
| NX 10 | 250 | 289 | 240 | 25 | 10 | 76 | 65 | 97 |
| NX 12 | 300 | 339 | 291 | 25 | 10 | 76 | 81 | 113 |
| NX 14 | 350 | 388 | 341 | 25 | 10 | 102 | 96 | 128 |
| NX 16 | 400 | 438 | 391 | 25 | 10 | 102 | 110 | 142 |

Dimensions are in millimeters. Product Information is Subject to Change Without Notice.

JOB NAME: _____
 LOCATION: _____
 ARCHITECT: _____
 ENGINEER: _____
 CONTRACTOR: _____

SUBMITTED BY: _____

DATE: _____

Model NX
 Aluminum Reversible TurboNozzle

Form No.756N-M