



Seiho International, Inc.

# SUBMITTAL SHEET

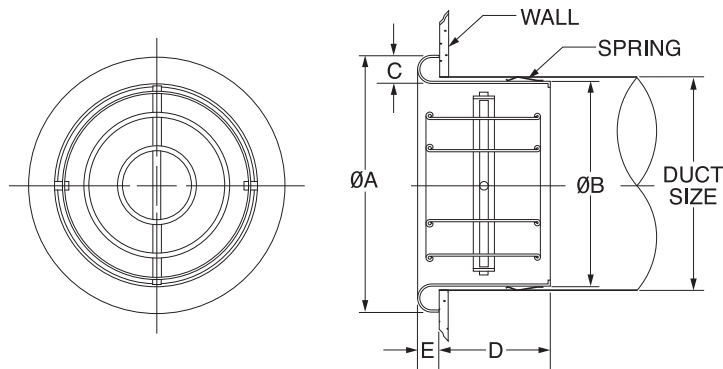
www.seiho.com

## Model: NT

Aluminum TurboNozzle

- Long Air Throws
- Adjustable Air Direction
- Easy Installation

- Material: Aluminum
- Standard Finish: Clear Anodized



MODEL	DUCT SIZE	A	B	C	D	E
NT 4	4	4 3/4	3 5/8	5/8	2	1/2
NT 6	6	7 3/16	5 17/32	7/8	3 11/32	11/16
NT 8	8	9 13/32	7 17/32	1	4 1/4	3/4
NT10	10	11 7/8	9 1/2	1 1/4	5 1/16	15/16
NT12	12	14 11/32	11 15/32	1 1/2	4 7/8	1 1/8
NT14	14	16 5/8	13 7/16	1 21/32	4 3/4	1 7/32
NT16	16	18 25/32	15 13/32	1 3/4	4 11/16	1 5/16
NT20	20	23 7/16	19 9/16	2	6 1/2	1 1/2
NT24	24	27 7/16	23 9/16	2	6 1/2	1 1/2

Product information is subject to change without notice. All dimensions in inches.

JOB NAME: \_\_\_\_\_  
 LOCATION: \_\_\_\_\_  
 ARCHITECT: \_\_\_\_\_  
 ENGINEER: \_\_\_\_\_  
 CONTRACTOR: \_\_\_\_\_

SUBMITTED BY: \_\_\_\_\_

DATE: \_\_\_\_\_

**Model NT**  
 Aluminum TurboNozzle

Form No.240-22