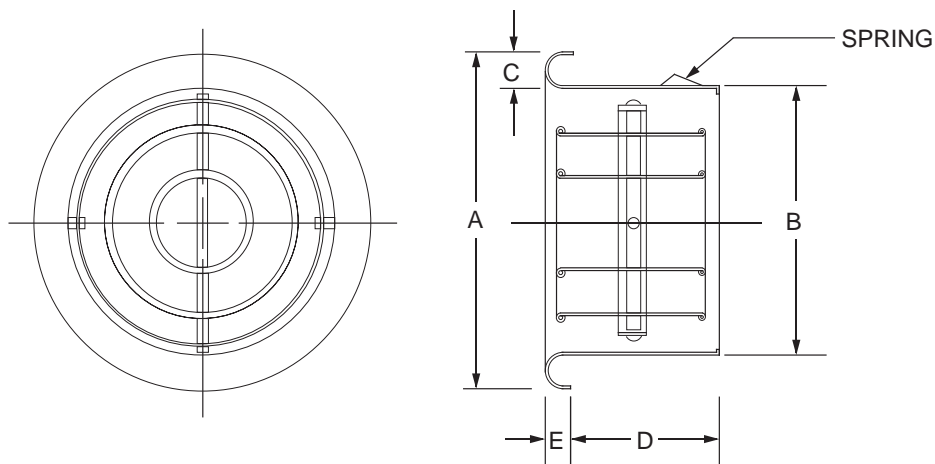


## Model: NT Aluminum TurboNozzle

- Heavy Gage Aluminum Body
- Adjustable Air Direction
- Easy Installation by Spring Clips
- Anodized Finish for Rust Protection
- Individually Adjustable Nozzles

- Material: Aluminum
- Standard Finish: Anodized



| MODEL | DUCT SIZE | A   | B   | C  | D   | E  |
|-------|-----------|-----|-----|----|-----|----|
| NT 4  | 100       | 121 | 92  | 18 | 51  | 13 |
| NT 6  | 150       | 183 | 141 | 22 | 85  | 17 |
| NT 8  | 200       | 239 | 191 | 26 | 108 | 19 |
| NT 10 | 250       | 302 | 241 | 32 | 129 | 24 |
| NT 12 | 300       | 364 | 291 | 38 | 124 | 29 |
| NT 14 | 350       | 422 | 341 | 42 | 121 | 32 |
| NT 16 | 400       | 477 | 391 | 45 | 119 | 34 |
| NT 20 | 508       | 596 | 498 | 51 | 165 | 38 |
| NT 24 | 508       | 698 | 599 | 51 | 165 | 38 |

Dimensions are in millimeters. Product Information is Subject to Change Without Notice

JOB NAME: \_\_\_\_\_  
 LOCATION: \_\_\_\_\_  
 ARCHITECT: \_\_\_\_\_  
 ENGINEER: \_\_\_\_\_  
 CONTRACTOR: \_\_\_\_\_

SUBMITTED BY: \_\_\_\_\_

DATE: \_\_\_\_\_

**Model NT**  
Aluminum TurboNozzle

Form No.730N-M