

Aluminum TurboNozzles

Model: **NTX & NTX-R**



Model: **NTX**
(Surface Mounted)



Model: **NTX-R**
(Exposed Duct Mounted)



MATERIAL

- Aluminum

FINISH

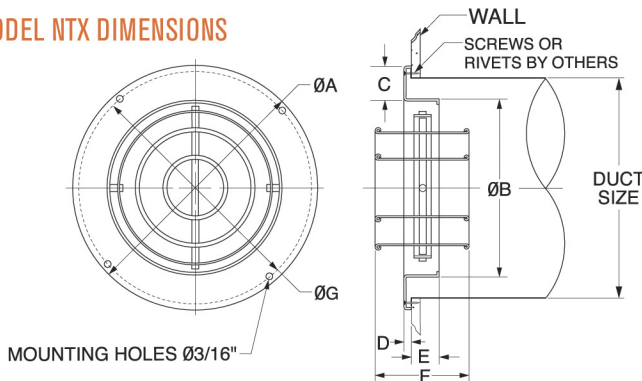
- Clear Anodized
- Custom Colors Available

Seiho's Model NTX Surface Mounted Aluminum TurboNozzle and NTX-R Exposed Duct Mounted Aluminum TurboNozzle offers excellent architectural styling for directional control in supply applications. While the NTX is specially designed for a flush flange mounting to wall and ceiling construction, the NTX-R is designed for direct mounting to exposed, round sheet metal (spiral or k-d) duct work. Both models provide an integral, readily-accessible airflow adjustment in its installed position. The NTX and NTX-R differ from the NT in their mounting configuration and the nozzle position. They use a shallower flange and the nozzle protrudes from the flange. The heavy-gauge anodized, aluminum and stainless steel construction is corrosion-resistant for years of service. The aluminum finish integrates seamlessly with the galvanized finish of exposed duct systems.

FEATURES

- Economical
- High Airflow Capacity
- Long Throw Capacity
- Infinitely Adjustable 2-Axis Core for Directional Control
- Anodized Aluminum Body and Stainless Steel Construction
- Surface (NTX) or Exposed Duct (NTX-R) Mounted
- Horizontal Throw
- Vertical Throw Applications by Factory Selection
- Mounting Screw Fastening System

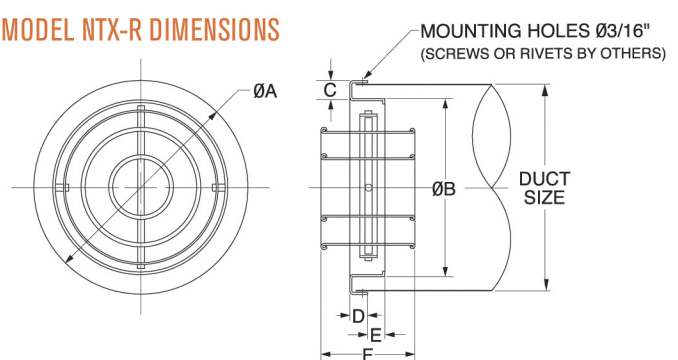
MODEL NTX DIMENSIONS



Note: The nominal size (Measurement B) of NTX is 2" smaller than the duct size it mounts to. (Ex. NTX6 is designed to fit a 8" duct.)

MODEL	DUCT SIZE	A	B	C	D	E	E	G
NTX 4	6	8	4	2	3/8	1 5/8	2	7
NTX 6	8	10	6	2	3/8	1 5/8	3 7/32	9
NTX 8	10	12	8	2	3/8	1 5/8	4 1/4	11
NTX10	12	14	10	2	3/8	1 5/8	5 9/32	13
NTX12	14	16	12	2	3/8	1 5/8	5 7/32	15
NTX14	16	18	14	2	3/8	1 5/8	5 7/32	17
NTX16	18	20	16	3	3/8	1 5/8	5 7/32	19
NTX20	22	24	20	1	3/8	2 5/8	7 3/16	23
NTX24	26	28	24	2	3/8	2 5/8	7 3/16	27

MODEL NTX-R DIMENSIONS



Note: The nominal size (Measurement B) of NTX-R is 2" smaller than the duct size it mounts to. (Except for NTX20R & NTX24R: 4" smaller than duct.)

MODEL	DUCT SIZE	A	B	C	D	E	F
NTX 4R	6	6 1/4	4	1 3/16	1	1	2
NTX 6R	8	8 1/4	6	1 3/16	1	1	3 7/32
NTX 8R	10	10 1/4	8	1 3/16	1	1	4 1/4
NTX10R	12	12 1/4	10	1 3/16	1	1	5 9/32
NTX12R	14	14 1/4	12	1 3/16	1	1	5 7/32
NTX14R	16	16 1/4	14	1 3/16	1	1	5 7/32
NTX16R	18	18 1/4	16	1 3/16	1	1	5 7/32
NTX20R	24	24 1/4	20	4 3/8	1 1/2	1 1/2	7 3/16
NTX24R	28	28 1/4	24	4 3/8	1 1/2	1 1/2	7 3/16

Product information is subject to change without notice. All dimensions in inches.

Product information is subject to change without notice. All dimensions in inches.

Aluminum TurboNozzle Performance Data

Model: **NTX & NTX-R**



SIZE	Nozzle Velocity (fpm)		300		400		500		600		700		800		1000		1200		1400		
	Velocity Pressure (in.,wg)		0.006		0.010		0.016		0.022		0.031		0.040		0.062		0.090		0.122		
	Deflection		0	22.5	0	22.5	0	22.5	0	20.5	0	22.5	0	22.5	0	22.5	0	22.5	0	22.5	0
4	Neck Area 0.077 sq.ft	CFM	30		40		50		60		70		80		90		110		130		
		SP(in.,wg.)	-	-	-	-	0.023	0.047	0.037	0.050	0.050	0.078	0.066	0.093	0.085	0.116	0.100	0.170	0.174	0.232	
		NC	-	-	-	-	-	-	14	20	19	23	21	27	29	30	31	35	36	37	
		Throw(ft.)	8	7	9	7	10	8	11	9	11	10	12	10	12	11	13	12	14	13	
6	Neck Area 0.180 sq.ft	CFM	60		80		90		110		130		150		180		220		260		
		SP(in.,wg.)	-	0.02	-	0.02	0.013	0.039	0.023	0.039	0.029	0.048	0.033	0.058	0.057	0.100	0.093	0.155	0.132	0.244	
		NC	-	-	-	-	-	-	-	-	-	16	-	19	21	27	28	33	33	40	
		Throw(ft.)	9	7	11	9	13	11	14	13	14	11	11	17	16	18	21	19	23	20	
8	Neck Area 0.349 sq.ft	CFM	100		140		170		200		230		270		330		400		460		
		SP(in.,wg.)	-	-	0.008	0.016	0.016	0.024	0.019	0.032	0.040	0.047	0.044	0.080	0.071	0.095	0.120	0.166	0.170	0.240	
		NC	-	-	-	17	-	17	15	17	19	20	21	25	24	31	26	32	34	39	
		Throw(ft.)	13	11	16	15	18	16	20	18	21	19	23	21	25	22	26	24	28	25	
10	Neck Area 0.545 sq.ft	CFM	160		210		260		310		360		410		510		610		710		
		SP(in.,wg.)	-	-	-	0.017	0.009	0.026	0.015	0.034	0.026	0.043	0.034	0.053	0.046	0.077	0.065	0.110	0.085	0.200	
		NC	-	-	-	-	-	15	-	19	19	21	15	16	23	27	24	31	33	37	
		Throw(ft.)	19	16	22	18	24	19	26	22	27	25	29	26	31	28	35	30	36	32	
12	Neck Area 0.785 sq.ft	CFM	230		300		370		450		520		590		740		890		1030		
		SP(in.,wg.)	-	-	-	0.009	-	0.023	0.032	0.037	0.037	0.046	0.046	0.053	0.047	0.083	0.055	0.093	0.093	0.160	
		NC	-	-	-	-	-	-	-	-	-	19	17	21	21	31	30	37	34	41	
		Throw(ft.)	24	20	26	22	27	25	30	27	32	30	33	30	39	36	40	38	41	39	
14	Neck Area 1.069 sq.ft	CFM	310		410		510		610		710		810		1010		1220		1420		
		SP(in.,wg.)	-	-	-	-	-	0.024	0.028	0.039	0.026	0.038	0.028	0.047	0.038	0.056	0.047	0.094	0.141	0.235	
		NC	-	-	-	-	-	-	-	15	15	20	15	28	23	29	28	33	35	40	
		Throw(ft.)	26	22	29	25	32	30	36	32	38	35	39	37	41	40	50	44	57	48	
16	Neck Area 1.396 sq.ft	CFM	400		540		670		800		930		1070		1330		1600		1860		
		SP(in.,wg.)	-	-	-	-	-	0.030	0.021	0.032	0.031	0.038	0.038	0.037	0.047	0.038	0.056	0.066	0.066	0.080	
		NC	-	-	-	-	-	-	-	-	-	15	-	16	22	25	29	32	34	37	
		Throw(ft.)	29	26	33	31	36	35	39	37	41	39	44	41	52	46	59	52	67	58	
20	Neck Area 2.182 sq.ft	CFM	660		880		1100		1310		1530		1750		2190		2620		3060		
		SP(in.,wg.)	-	-	-	-	-	0.03	0.02	0.03	0.03	0.04	0.04	0.05	0.06	0.07	0.10	0.11	0.12	0.14	
		NC	-	-	-	-	-	-	-	15	-	15	17	25	26	32	30	35	36	42	
		Throw(ft.)	40	37	45	41	46	45	53	48	57	53	63	56	71	63	80	79	88	72	
24	Neck Area 3.142 sq.ft	CFM	950		1260		1580		1890		2200		2520		3150		3780		4400		
		SP(in.,wg.)	-	-	-	-	-	0.03	0.02	0.02	0.03	0.04	0.04	0.05	0.06	0.07	0.09	0.10	0.12	0.13	
		NC	-	-	-	-	-	-	-	15	15	22	19	27	24	33	32	37	38	44	
		Throw(ft.)	46	44	52	48	57	53	62	57	67	62	73	67	83	76	93	85	104	95	

THE THROW VALUES ARE BASED ON A 50 FPM TERMINAL VELOCITY.
DASHED LINE IN SP BOX INDICATES STATIC PRESSURE IS LESS THAN 0.01 IN.W.G.
DASHED LINE IN NC BOX INDICATES NOISE LEVEL IS LESS THAN 20.
NC LEVEL IS BASED ON 10dB ROOM ATTENUATION(PWL RE:10-12 WATTS) WITH ONE DIFFUSER OPERATING.