

Pressure Relief Adjustable Plastic Register



Model: **JSG**



Model: **JSF**

When the exhaust fan is running, the damper in the JSF / JSG Plastic Register will open to allow a constant amount of fresh air to enter the room. It will eliminate indoor and outdoor pressure imbalances and create a comfortable environment in the room. When there is strong gusty winds and or when ventilation is not necessary, the damper can be locked manually.

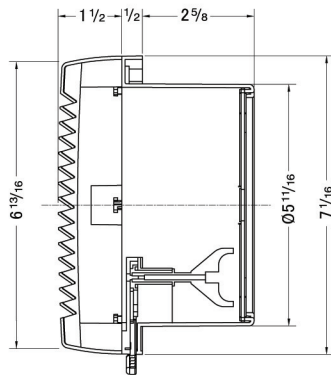
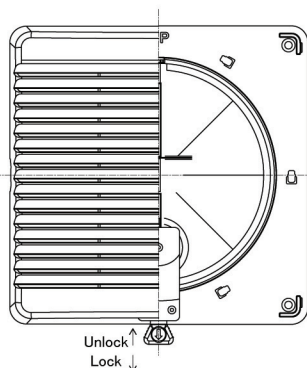


MATERIAL	FINISH
• ABS Resin	• White

FEATURES

- Eliminates Pressure Imbalances Automatically
- Allows Exhaust fan To Run More Efficiently
- Diminishes Internal Noise
- Lockable Damper When Ventilation is not necessary
- Removable Square face (with or without louvers)
- Durable ABS Plastic
- Off-White Finish

Model: **JSG**



Model: **JSF**

