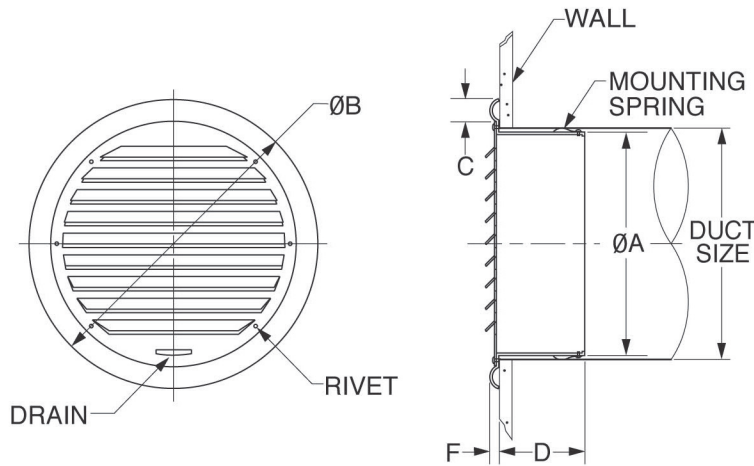


## Model: SX-S

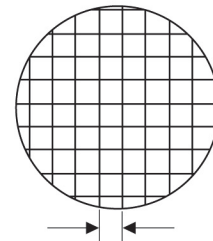
### Stainless Steel Vent Cap

- Fresh Air Intake/Exhaust Outlet
- For Interior and Exterior Location
- Optional Insect Screen (SX-SN)

- Material: Stainless Steel
- Standard Finish: Polished



Optional Insect Screen



3/32" (2.5mm)  
Mesh 10 (per inch)

MODEL	DUCT SIZE	A	B	C	D	F	FREE AREA
SX 4S	4	3 13/16	5 23/32	19/32	1 21/32	9/32	0.04 sq. ft.
SX 6S	6	5 23/32	8	25/32	2 3/4	9/32	0.08 sq. ft.

Product information is subject to change without notice. All dimensions in inches.

JOB NAME: \_\_\_\_\_  
 LOCATION: \_\_\_\_\_  
 ARCHITECT: \_\_\_\_\_  
 ENGINEER: \_\_\_\_\_  
 CONTRACTOR: \_\_\_\_\_

SUBMITTED BY: \_\_\_\_\_

DATE: \_\_\_\_\_

**Model SX-S**  
Stainless Steel Vent Cap

Form No.460-22-S