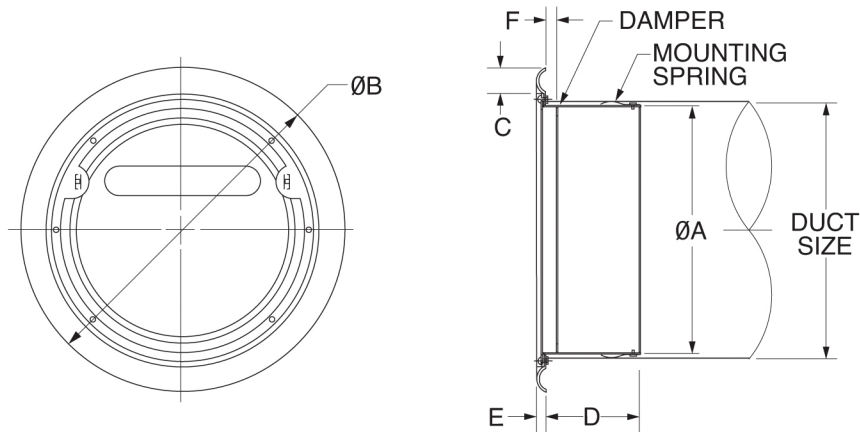


## Model: SB

### Dryer Vent

- Standard with Flapper Damper
- Large Free Area Reduce Clogging
- All Aluminum Construction

- Material: Aluminum
- Standard Finish: Clear Anodized



MODEL	DUCT SIZE	A	B	C	D	E	F	FREE AREA
SB 4	4"	3 13/16	5 23/32	19/32	1 21/32	5/16	5/16	0.059sq.ft
SB 6	6"	5 23/32	8	25/32	2 3/4	3/8	5/8	0.14sq.ft

Product information is subject to change without notice. All dimensions in inches.

JOB NAME: \_\_\_\_\_  
 LOCATION: \_\_\_\_\_  
 ARCHITECT: \_\_\_\_\_  
 ENGINEER: \_\_\_\_\_  
 CONTRACTOR: \_\_\_\_\_

SUBMITTED BY: \_\_\_\_\_

DATE: \_\_\_\_\_

**Model SB**  
 Dryer Vent

Form No.420-22B