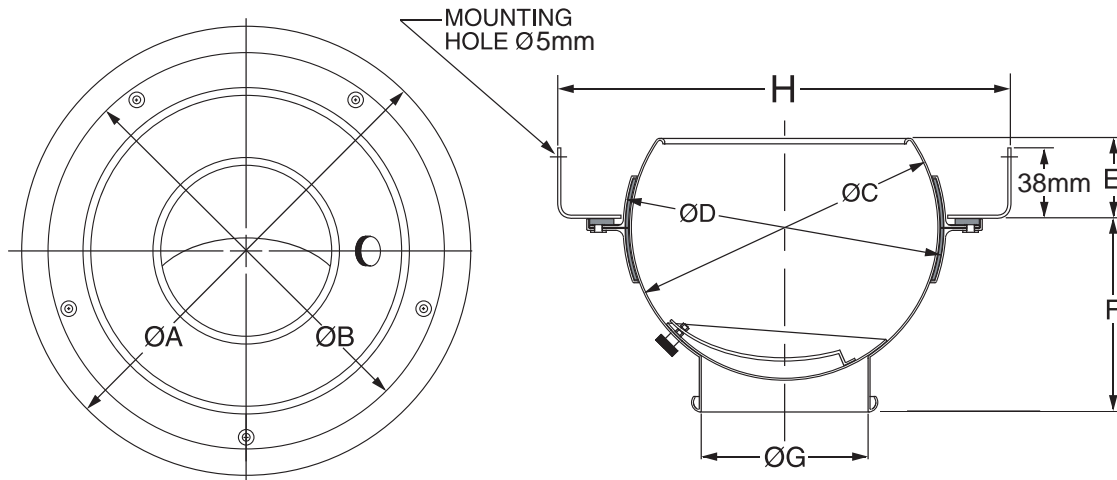


Model: PK-R

Spiral Duct Mounted SpotDiffuser

- Mounts Over the End of Spiral Duct
 - Solid Aluminum Rotatable Body
 - Directional Air Stream Control
 - Double Felt Flange-Body Seal
 - Precision Air Flow Adjustment
- Material: Aluminum
 - Standard Finish: Anodized



MODEL	DUCT SIZE	PK SIZE	A	B	C	D	E	F	G	H
PK 6R	200	PK 6	212	190	150	158	38	94	75	210
PK 7R	250	PK 7	264	231	178	185	38	111	90	260
PK 8R	280	PK 8	289	250	200	204	44	120	100	286
PK 10R	350	PK 10	364	324	267	276	50	174	140	361
PK 12R	400	PK 12	416	363	305	314	63	200	165	423
PK 16R	500	PK 16	518	470	410	419	92	248	230	514
PK 18R	600	PK 18	619	535	470	479	95	295	260	616
PK 20R	600	PK 20	619	535	470	479	95	295	310	616

Dimensions are in millimeters. Product Information is Subject to Change Without Notice

JOB NAME: _____ LOCATION: _____ ARCHITECT: _____ ENGINEER: _____ CONTRACTOR: _____	SUBMITTED BY: _____ 	DATE: _____ 	<h3>Model PK-R</h3> <p>Spiral Duct Mounted Aluminum SpotDiffuser</p> <hr/> <p>Form No.712P-M</p>
--	-----------------------------	---------------------	--