



Seiho International.Inc.

SUBMITTAL SHEET

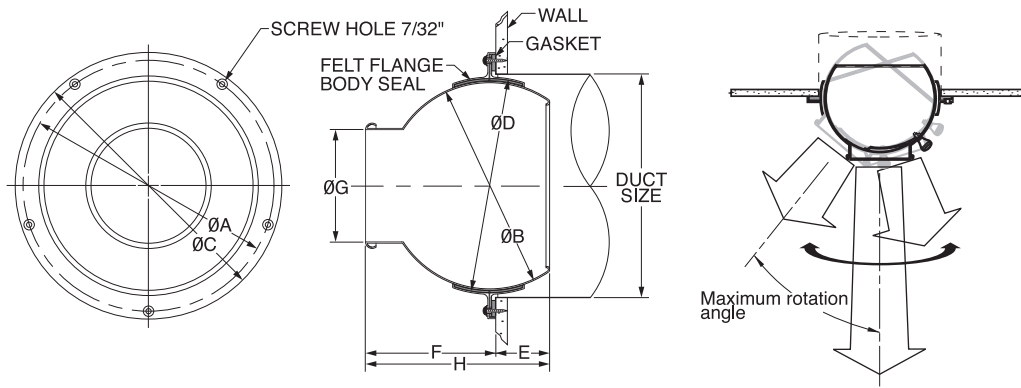
www.seiho.com

Model: PK-E (without Damper)

Aluminum SpotDiffuser

- Spot Cooling/Heating Application
- Adjustable Direction
- Long Air Trows

- Material: Aluminum
- Standard Finish: Clear Anodized



| MODEL | DUCT SIZE | A | B | C | D | E | F | G | H | SCREW HOLES | WEIGHT Lbs. | MAX. ROTATION ANGLE |
|--------|-----------|----------|---------|---------|----------|---------|---------|---------|----------|-------------|-------------|---------------------|
| PK 3E | 3 11/32 | 3 13/16 | 2 15/16 | 4 17/32 | 3 7/32 | 2 1/32 | 2 3/32 | 1 1/2 | 2 3/4 | 3 | 0.29 | 33° |
| PK 4E | 4 11/32 | 4 13/16 | 3 15/16 | 5 1/2 | 4 7/32 | 15/16 | 2 9/16 | 1 31/32 | 3 1/2 | 4 | 0.40 | 41° |
| PK 5E | 5 1/2 | 5 31/32 | 5 1/8 | 6 11/16 | 5 13/32 | 1 5/16 | 3 7/32 | 2 9/16 | 4 17/32 | 5 | 0.75 | 42° |
| PK 6E | 6 5/16 | 6 25/32 | 5 29/32 | 7 15/32 | 6 7/32 | 1 1/2 | 3 11/16 | 2 15/16 | 5 3/16 | 5 | 0.82 | 43° |
| PK 7E | 7 15/32 | 8 3/8 | 7 | 9 3/32 | 7 9/32 | 1 1/2 | 4 3/8 | 3 17/32 | 5 7/8 | 5 | 1.02 | 42° |
| PK 8E | 8 3/16 | 9 1/8 | 7 7/8 | 9 27/32 | 8 1/32 | 1 23/32 | 4 23/32 | 3 15/16 | 6 7/16 | 5 | 1.28 | 42° |
| PK 10E | 11 1/32 | 11 31/32 | 10 1/2 | 12 3/4 | 10 7/8 | 1 31/32 | 6 27/32 | 5 1/2 | 8 13/16 | 5 | 2.10 | 40° |
| PK 12E | 12 17/32 | 13 15/32 | 12 | 14 9/32 | 12 3/8 | 2 15/32 | 7 7/8 | 6 1/2 | 10 11/32 | 5 | 2.60 | 39° |
| PK 14E | 12 17/32 | 13 15/32 | 12 | 14 9/32 | 12 3/8 | 2 3/8 | 7 9/32 | 7 15/32 | 9 5/8 | 5 | 2.60 | 39° |
| PK 16E | 16 23/32 | 17 3/4 | 16 5/32 | 18 1/2 | 16 1/2 | 3 5/8 | 9 3/4 | 9 1/16 | 13 3/8 | 8 | 4.41 | 40° |
| PK 18E | 19 1/8 | 20 1/8 | 18 1/2 | 21 1/16 | 18 27/32 | 3 3/4 | 11 5/8 | 10 1/4 | 15 1/32 | 8 | 5.80 | 38° |
| PK 20E | 19 1/8 | 20 1/8 | 18 1/2 | 21 1/16 | 18 27/32 | 3 3/4 | 11 5/8 | 12 7/32 | 15 1/32 | 8 | 6.02 | 34° |

Product information is subject to change without notice. All dimensions in inches.

JOB NAME: _____
 LOCATION: _____
 ARCHITECT: _____
 ENGINEER: _____
 CONTRACTOR: _____

SUBMITTED BY: _____

DATE: _____

Model PK-E
 Aluminum SpotDiffuser
 (without Damper)

Form No.152-22