



Seiho International, Inc.

SUBMITTAL SHEET

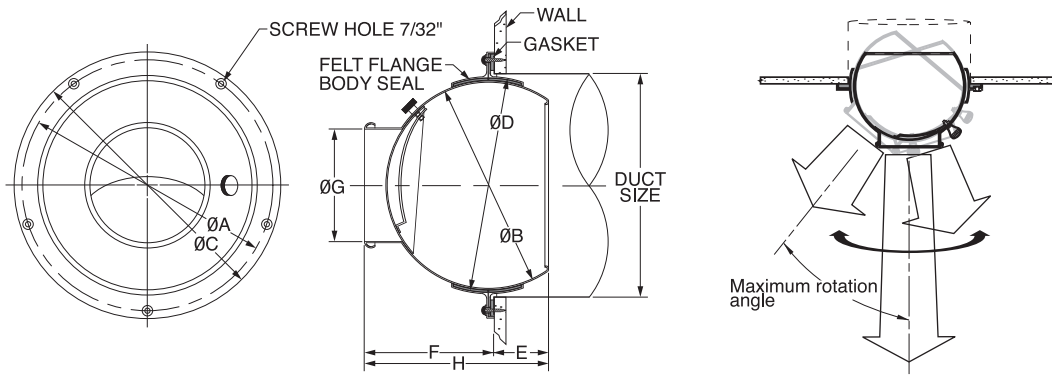
www.seiho.com

Model: PK

Aluminum SpotDiffuser

- Spot Cooling/Heating Application
- Adjustable Direction
- Adjustable Volume Control

- Material: Aluminum
- Standard Finish: Clear Anodized



MODEL	DUCT SIZE	A	B	C	D	E	F	G	H	SCREW HOLES	WEIGHT Lbs.	MAX. ROTATION ANGLE
PK 3	3 11/32	3 13/16	2 15/16	4 17/32	3 7/32	2 1/32	2 3/32	1 1/2	2 3/4	3	0.29	33°
PK 4	4 11/32	4 13/16	3 15/16	5 1/2	4 7/32	1 5/16	2 9/16	1 31/32	3 1/2	4	0.40	41°
PK 5	5 1/2	5 31/32	5 1/8	6 11/16	5 13/32	1 5/16	3 7/32	2 9/16	4 17/32	5	0.75	42°
PK 6	6 5/16	6 25/32	5 29/32	7 15/32	6 7/32	1 1/2	3 11/16	2 15/16	5 3/16	5	0.82	43°
PK 7	7 15/32	8 3/8	7	9 3/32	7 9/32	1 1/2	4 3/8	3 17/32	5 7/8	5	1.02	42°
PK 8	8 3/16	9 1/8	7 7/8	9 27/32	8 1/32	1 23/32	4 23/32	3 15/16	6 7/16	5	1.28	42°
PK 10	11 1/32	11 31/32	10 1/2	12 3/4	10 7/8	1 31/32	6 27/32	5 1/2	8 13/16	5	2.10	40°
PK 12	12 17/32	13 15/32	12	14 9/32	12 3/8	2 15/32	7 7/8	6 1/2	10 11/32	5	2.60	39°
PK 14	12 17/32	13 15/32	12	14 9/32	12 3/8	2 3/8	7 9/32	7 15/32	9 5/8	5	2.60	39°
PK 16	16 23/32	17 3/4	16 5/32	18 1/2	16 1/2	3 5/8	9 3/4	9 1/16	13 3/8	8	4.41	40°
PK 18	19 1/8	20 1/8	18 1/2	21 1/16	18 27/32	3 3/4	11 5/8	10 1/4	15 11/32	8	5.80	38°
PK 20	19 1/8	20 1/8	18 1/2	21 1/16	18 27/32	3 3/4	11 5/8	12 7/32	15 11/32	8	6.02	34°

Product information is subject to change without notice. All dimensions in inches.

JOB NAME: _____	SUBMITTED BY: _____	DATE: _____	Model PK Aluminum SpotDiffuser
LOCATION: _____			
ARCHITECT: _____			Form No.150-22
ENGINEER: _____			
CONTRACTOR: _____			