



Seiho International, Inc.

SUBMITTAL SHEET

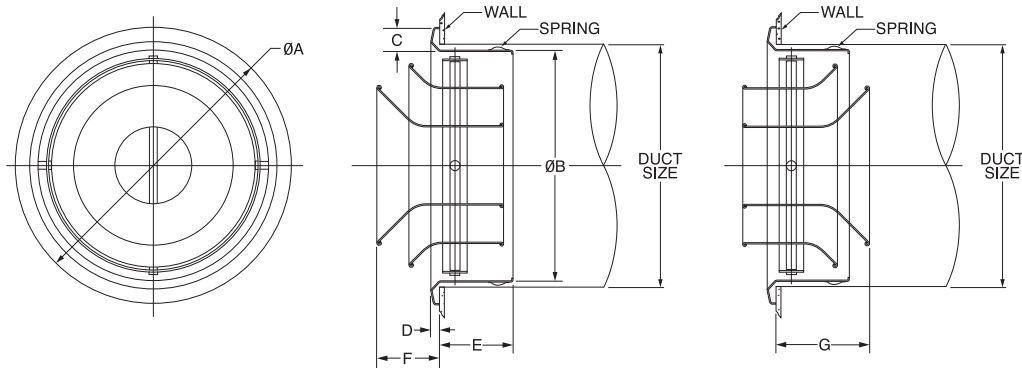
www.seiho.com

Model: NX

Aluminum Reversible TurboNozzle

- Reversible Center Cones for Narrow or Wide Jet Air Pattern
- Adjustable Air Direction

- Material: Aluminum
- Standard Finish: Clear Anodized



MODEL	DUCT SIZE	A	B	C	D	E	F	G
NX 6	6	7 ¹³ / ₃₂	5 ¹⁷ / ₃₂	1	³ / ₈	2 1/2	1 ¹ / ₈	2 1/2
NX 8	8	9 ¹³ / ₃₂	7 1/2	1	³ / ₈	2 1/2	1 ¹³ / ₁₆	3 ¹ / ₁₆
NX10	10	11 ³ / ₈	9 ¹⁵ / ₃₂	1	³ / ₈	3	2 ⁹ / ₁₆	3 ¹³ / ₁₆
NX12	12	13 ¹¹ / ₃₂	11 ¹⁵ / ₃₂	1	³ / ₈	3	3 ³ / ₁₆	4 ⁷ / ₁₆
NX14	14	15 ⁵ / ₁₆	13 ⁷ / ₁₆	1	³ / ₈	4	3 ²⁵ / ₃₂	5 ¹ / ₃₂
NX16	16	17 ⁹ / ₃₂	15 ¹³ / ₃₂	1	³ / ₈	4	4 ¹¹ / ₃₂	5 ¹⁹ / ₃₂

Product information is subject to change without notice. All dimensions in inches.

JOB NAME: _____
 LOCATION: _____
 ARCHITECT: _____
 ENGINEER: _____
 CONTRACTOR: _____

SUBMITTED BY: _____

DATE: _____

Model NX
 Aluminum Reversible TurboNozzle

Form No.230-22