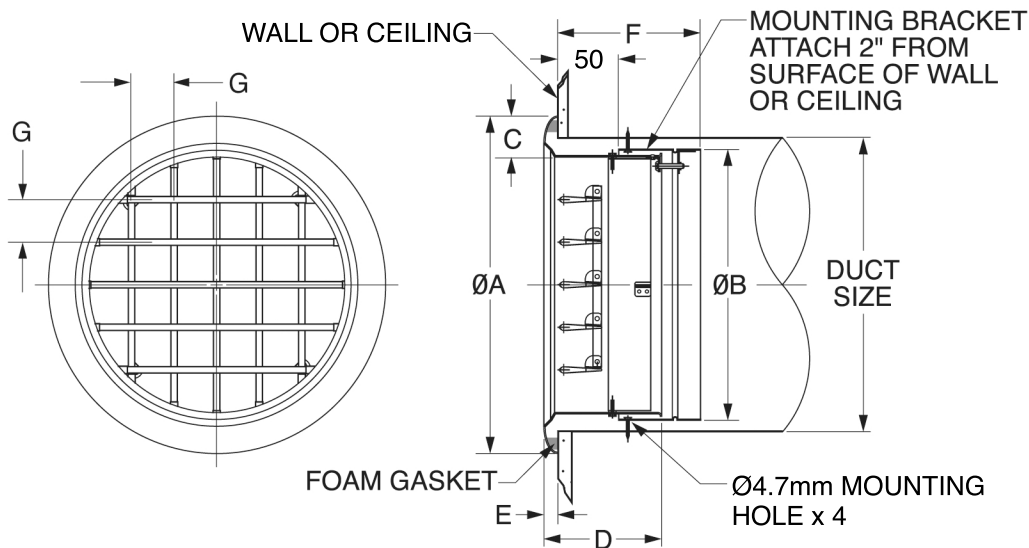


Model: NR-B

Aluminum RegisterNozzle

- Heavy Gage Aluminum Body
- Double Deflection
- Linked Airfoil Blades
- Adjustable Blades
- Spot or Normal Diffusion
- Wide Extruded Aluminum Airfoil Blades
- Hidden Mounting Mechanism

- Material: Aluminum
- Standard Finish: White or Mill Aluminum



MODEL	DUCT SIZE	A	B	C	D	E	F	G
NR 6B	150	194	148	31	109	12	140	33
NR 8B	200	254	198	36	109	12	140	36
NR 10B	250	321	248	45	112	15	140	47
NR 12B	300	371	298	45	112	15	140	48
NR 14B	350	421	348	45	112	15	140	48
NR 16B	400	471	398	45	112	15	140	48
NR 20B	508	600	501	60	140	23	160	48
NR 24B	609	700	602	60	140	23	160	48

Dimensions are in millimeters. Product Information is Subject to Change Without Notice

JOB NAME: _____
 LOCATION: _____
 ARCHITECT: _____
 ENGINEER: _____
 CONTRACTOR: _____

SUBMITTED BY: _____

DATE: _____

Model NR-B
 Aluminum RegisterNozzle

Form No.744N-M