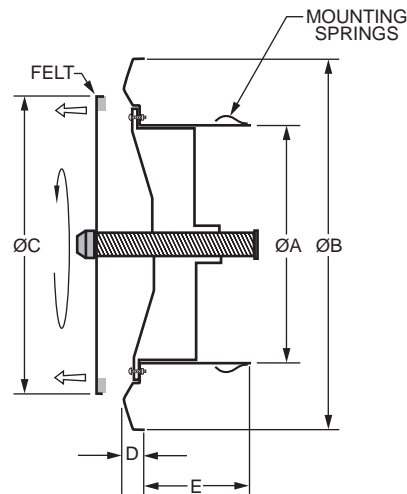
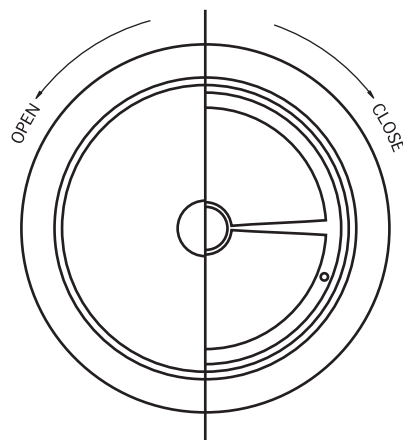


Model: JRC

Adjustable Aluminum Grille

- Infinite Adjustable Core for Volume Control
- Positive Sealing Core-to-Body Mount
- Omnidirectional, Low Diffusion Air Patterns
- Low Silhouette, Unobtrusive Profile
- Anodized Finish for Rust Protection
- Easy Installation by Spring Clips

- Material: Aluminum
- Standard Finish: Anodized



MODEL	DUCT SIZE	A	B	C	D	E
JRC 4	4"	95	160	130	15	56
JRC 6	6"	147	220	185	15	60

Dimensions are in millimeters. Product Information is Subject to Change Without Notice

JOB NAME: _____
 LOCATION: _____
 ARCHITECT: _____
 ENGINEER: _____
 CONTRACTOR: _____

SUBMITTED BY: _____

DATE: _____

Model JRC

Adjustable Aluminum Grille

Form No.401J-M