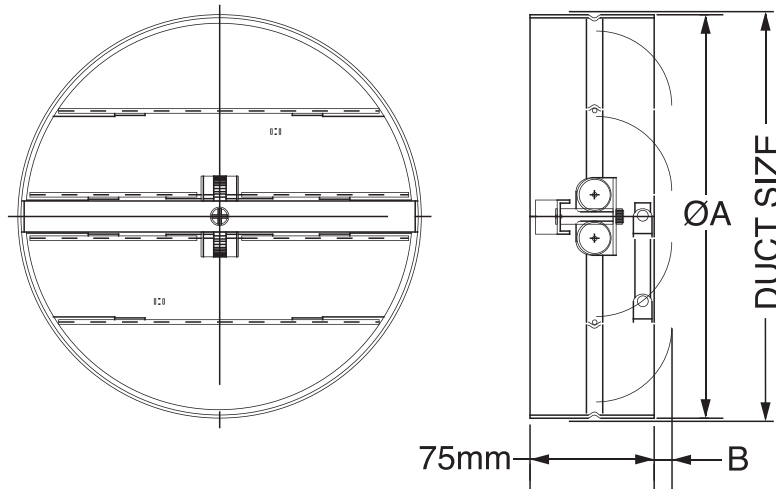


## Model: BS

### Butterfly Damper

- All-Steel Construction
- Installs Directly Behind Round Diffusers
- Screw Driver Operated

- Material: Heavy Gauge Steel
- Standard Finish: Black



MODEL	DUCT SIZE	A	B
BS 6	150	145	17
BS 8	200	195	2
BS 10	250	245	15
BS 12	300	295	27
BS 14	350	345	40
BS 16	400	395	52
BS 20	508	495	77
BS 24	609	595	103

Dimensions are in millimeters.  
Product Information is Subject to Change Without Notice.

JOB NAME: _____ LOCATION: _____ ARCHITECT: _____ ENGINEER: _____ CONTRACTOR: _____	SUBMITTED BY: _____  	DATE: _____  	<h3>Model BS</h3> <p>Butterfly Damper</p> <hr/> <p>Form No.200B-M</p>
--	-----------------------------	---------------------	---