

# Vent Caps

Model: **SFX-S/SX-S/KX**



Model: **SFX-S**  
(Model SFX-SN: With Screen)

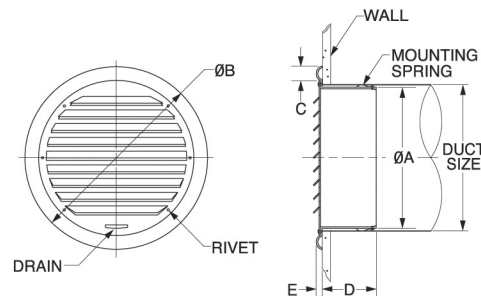
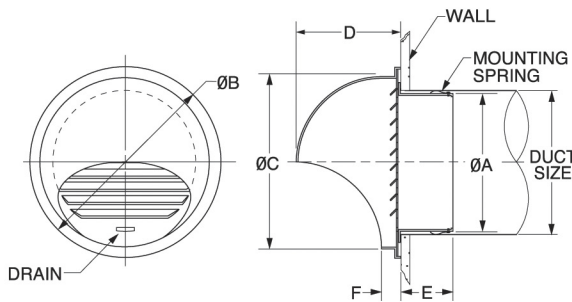


Model: **SX-S**  
(Model SX-SN: With Screen)

**New!**

Seiho's popular Vent Caps are now available in 304 stainless steel. The SX-S & hooded SFX-S series of vent caps are perfect for any venting applications such as storage rooms, attics, basements, and bathroom and kitchen exhausts. Insect screens are an option.

MATERIAL	FINISH
● Stainless Steel	● Polished
	● Custom Colors Available



MODEL	DUCT SIZE	A	B	C	D	E	F	FREE AREA
SFX 4S	4	3 13/16	6 3/32	5 1/8	3 17/32	1 9/16	3/4	0.04 sq.ft.
SFX 6S	6	5 23/32	8 1/16	7 1/16	4 17/32	2 9/16	3/4	0.08 sq.ft.

Product information is subject to change without notice. All dimensions in inches.

MODEL	DUCT SIZE	A	B	C	D	E	FREE AREA
SX 4S	4	3 13/16	5 23/32	19/32	1 21/32	9/32	0.04 sq.ft.
SX 6S	6	5 23/32	8	25/32	2 3/4	9/32	0.08 sq.ft.

Product information is subject to change without notice. All dimensions in inches.



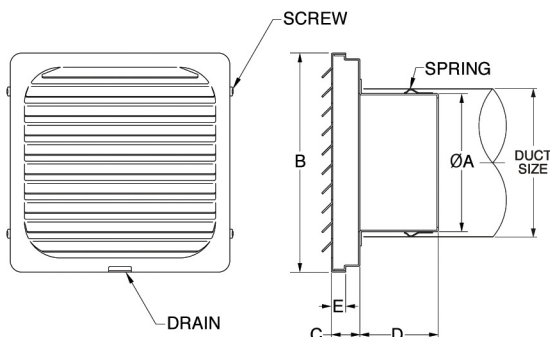
Model: **KX**  
(Model KX-N: With Screen)



**New!**

The new KX vent cap is ideal for residential ventilation applications such as storage rooms, attics, basements, as well as bathroom / kitchen exhaust. The clean square design is a perfect match for contemporary and classic building alike. Insect screens can be added as an option.

MATERIAL	FINISH
● Aluminum	● Clear Anodized
	● Custom Colors Available



MODEL	DUCT SIZE	A	B	C	D	F	FREE AREA
KX 3	3	2 3/4	6 3/32	25/32	1 3/4	7/16	0.12 sq.ft.
KX 4	4	3 3/4	6 3/32	25/32	1 3/4	7/16	0.14 sq.ft.
KX 5	5	4 1/2	8	25/32	1 3/4	7/16	0.21 sq.ft.
KX 6	6	5 23/32	8	25/32	2 1/4	7/16	0.21 sq.ft.

Product information is subject change without notice. All dimensions in inches.

# Vent Caps

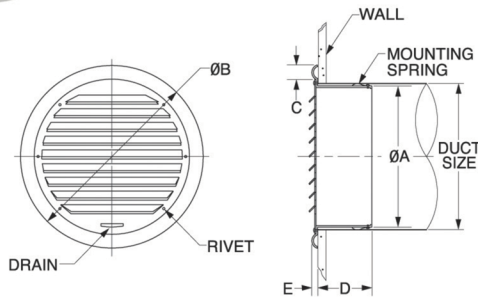
Model: **SX/SFX/SXL**



The SX series of vent caps are perfect for any venting applications such as storage rooms, attics, basements, and bathroom and kitchen exhausts. Beautiful anodized aluminum finish fits many decorating schemes. Insect screens are an option.

Model: **SX**  
(Model SX-N: With Screen)

- | MATERIAL   | FINISH                    |
|------------|---------------------------|
| • Aluminum | • Clear Anodized          |
|            | • Custom Colors Available |



MODEL	DUCT SIZE	A	B	C	D	E	FREE AREA
SX 3	3	2 <sup>29</sup> / <sub>32</sub>	4 <sup>13</sup> / <sub>16</sub>	19/ <sub>32</sub>	1 <sup>3</sup> / <sub>8</sub>	9/ <sub>32</sub>	0.02 sq.ft.
SX 4	4	3 <sup>13</sup> / <sub>16</sub>	5 <sup>23</sup> / <sub>32</sub>	19/ <sub>32</sub>	1 <sup>21</sup> / <sub>32</sub>	9/ <sub>32</sub>	0.04 sq.ft.
SX 5	5	4 <sup>3</sup> / <sub>4</sub>	6 <sup>21</sup> / <sub>32</sub>	19/ <sub>32</sub>	1 <sup>25</sup> / <sub>32</sub>	9/ <sub>32</sub>	0.05 sq.ft.
SX 6	6	5 <sup>23</sup> / <sub>32</sub>	8	25/ <sub>32</sub>	2 <sup>3</sup> / <sub>4</sub>	9/ <sub>32</sub>	0.08 sq.ft.
SX 7	7	6 <sup>11</sup> / <sub>16</sub>	8 <sup>31</sup> / <sub>32</sub>	25/ <sub>32</sub>	2 <sup>3</sup> / <sub>4</sub>	9/ <sub>32</sub>	0.11 sq.ft.
SX 8	8	7 <sup>11</sup> / <sub>16</sub>	10	25/ <sub>32</sub>	2 <sup>31</sup> / <sub>32</sub>	9/ <sub>32</sub>	0.14 sq.ft.

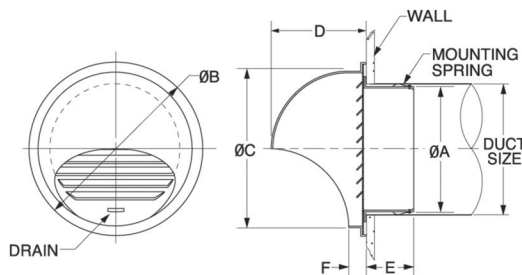
Product information is subject to change without notice. All dimensions in inches.



The SFX vent cap is identical to the SX with an exception of the hood. This model is excellent for exteriors where protection from the elements is necessary and not already carried out by the building design. Insect screens are an option.

Model: **SFX**  
(Model SFX-N: With Screen)

- | MATERIAL   | FINISH                    |
|------------|---------------------------|
| • Aluminum | • Clear Anodized          |
|            | • Custom Colors Available |



MODEL	DUCT SIZE	A	B	C	D	E	F	FREE AREA
SFX 3	3	2 <sup>29</sup> / <sub>32</sub>	4 <sup>3</sup> / <sub>4</sub>	3 <sup>25</sup> / <sub>32</sub>	2 <sup>11</sup> / <sub>16</sub>	1 <sup>9</sup> / <sub>16</sub>	9/ <sub>16</sub>	0.02 sq.ft.
SFX 4	4	3 <sup>13</sup> / <sub>32</sub>	6 <sup>3</sup> / <sub>32</sub>	5 <sup>1</sup> / <sub>8</sub>	3 <sup>17</sup> / <sub>32</sub>	1 <sup>9</sup> / <sub>16</sub>	3/ <sub>4</sub>	0.04 sq.ft.
SFX 5	5	4 <sup>3</sup> / <sub>4</sub>	6 <sup>29</sup> / <sub>32</sub>	5 <sup>29</sup> / <sub>32</sub>	3 <sup>15</sup> / <sub>16</sub>	1 <sup>31</sup> / <sub>32</sub>	3/ <sub>4</sub>	0.05 sq.ft.
SFX 6	6	5 <sup>23</sup> / <sub>32</sub>	8 <sup>1</sup> / <sub>16</sub>	7 <sup>1</sup> / <sub>16</sub>	4 <sup>17</sup> / <sub>32</sub>	2 <sup>9</sup> / <sub>16</sub>	3/ <sub>4</sub>	0.08 sq.ft.
SFX 7	7	6 <sup>11</sup> / <sub>16</sub>	9 <sup>15</sup> / <sub>32</sub>	8 <sup>9</sup> / <sub>32</sub>	5 <sup>1</sup> / <sub>8</sub>	2 <sup>9</sup> / <sub>16</sub>	3/ <sub>4</sub>	0.11 sq.ft.
SFX 8	8	7 <sup>11</sup> / <sub>16</sub>	10 <sup>5</sup> / <sub>8</sub>	9 <sup>7</sup> / <sub>16</sub>	5 <sup>23</sup> / <sub>32</sub>	2 <sup>31</sup> / <sub>32</sub>	3/ <sub>4</sub>	0.14 sq.ft.
SFX10	10	9 <sup>21</sup> / <sub>32</sub>	13	11 <sup>13</sup> / <sub>16</sub>	6 <sup>29</sup> / <sub>32</sub>	3 <sup>11</sup> / <sub>32</sub>	3/ <sub>4</sub>	0.24 sq.ft.
SFX12	12	11 <sup>19</sup> / <sub>32</sub>	14 <sup>1</sup> / <sub>4</sub>	13	7 <sup>15</sup> / <sub>32</sub>	2 <sup>3</sup> / <sub>4</sub>	3/ <sub>4</sub>	0.31 sq.ft.

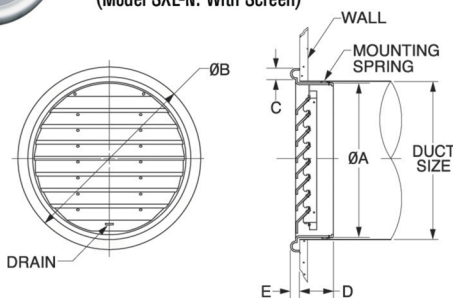
Product information is subject to change without notice. All dimensions in inches.



The SXL vent cap is a large version of the SX. Its main application is as a return air grille, though it can serve in the same purpose as the SX. Its flush face lends a clean look, and its aluminum construction and spring clip mounting makes it easy to install with no screws to mar the surface. Insect screens are an option.

Model: **SXL**  
(Model SXL-N: With Screen)

- | MATERIAL   | FINISH                    |
|------------|---------------------------|
| • Aluminum | • Clear Anodized          |
|            | • Custom Colors Available |



MODEL	DUCT SIZE	A	B	C	D	E	FREE AREA
SXL10	10	9 <sup>21</sup> / <sub>32</sub>	12 <sup>11</sup> / <sub>16</sub>	1	2 <sup>31</sup> / <sub>32</sub>	13/ <sub>32</sub>	0.19 sq.ft.
SXL12	12	11 <sup>19</sup> / <sub>32</sub>	14 <sup>21</sup> / <sub>32</sub>	1	2 <sup>31</sup> / <sub>32</sub>	13/ <sub>32</sub>	0.27 sq.ft.
SXL14	14	13 <sup>19</sup> / <sub>32</sub>	16 <sup>5</sup> / <sub>8</sub>	1	3 <sup>11</sup> / <sub>32</sub>	19/ <sub>32</sub>	0.37 sq.ft.
SXL16	16	15 <sup>9</sup> / <sub>16</sub>	18 <sup>19</sup> / <sub>32</sub>	1	3 <sup>11</sup> / <sub>32</sub>	19/ <sub>32</sub>	0.49 sq.ft.

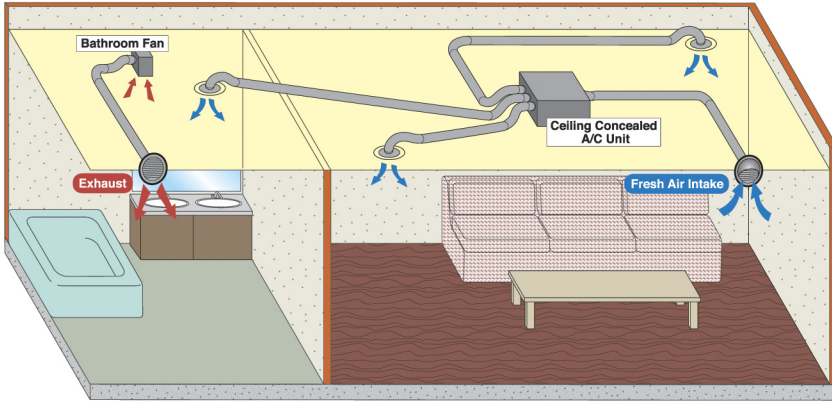
Product information is subject to change without notice. All dimensions in inches.

# Vent Caps

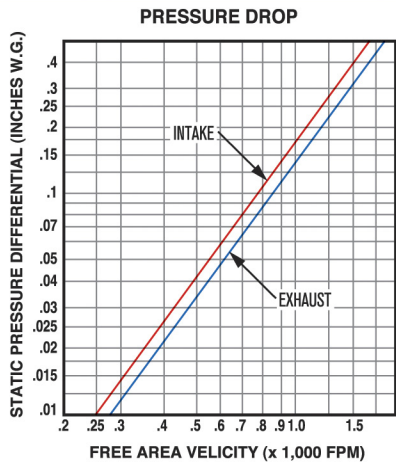
## APPLICATIONS

Fresh Air Intake/Exhaust Outlet and Ventilation for Interior and Exterior Locations.

- Homes
- Ships
- Retail Buildings
- Condominiums
- Warehouses
- Restaurants
- Apartments
- Commercial Buildings
- Gymnasiums



## ALUMINUM VENT CAP SELECTION

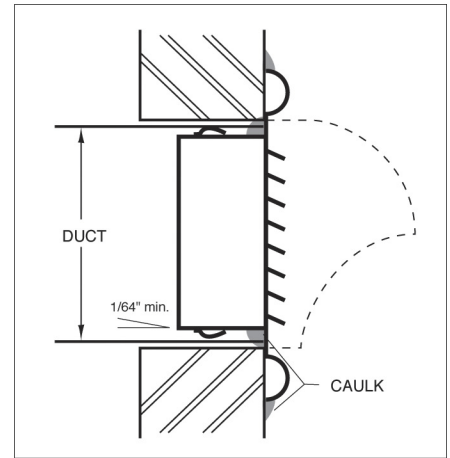


MAXIMUM RECOMMENDED FREE AREA VELOCITY 750 F.P.M.

1. To determine minimum free area required for vent, divide the required CFM flow by the maximum recommended free area velocity of 750 FPM. Given 125 CFM: Min. free area = 125 CFM/750 FPM = 0.16 sq. ft.
2. From the Dimension table, find the corresponding minimum vent size. Model SXL 10 has 0.19 sq. ft. free area.
3. Verify the static pressure drop through the vent from the Pressure Drop Chart. Velocity of 750 FPM has 0.09 in. w.g. static pressure drop.

## ALUMINUM VENT CAP SELECTION

■ SEIHO Vent Caps are designed and manufactured with the architect in mind for every venting need required such as under roof vents where no duct attachments are required, or for specialty vents, as outlets, attached to internal ducts from fan systems.



■ SEIHO Vent Caps are designed for ease of installation on any exterior surface after all other mechanical and architectural work has been completed. There is no interference with other hidden or exposed items during the construction process, and therefore no cause for delays. Because of the lightweight aluminum construction SEIHO Aluminum Vent Caps are easily installed using only a high grade silicon Caulk. No special tools or techniques required. No adjustments are required.

**Note: No louver manufacturer warrants their louver to prevent water penetration under all possible circumstances of wind and rain.**

## AVAILABLE IN CUSTOM COLORS

