



Model: **RCA-S**

Model: **RCC-S**
(with Backdraft Damper)

MATERIAL

- Stainless Steel (304)

FINISH

- Polished
- Custom Colors Available

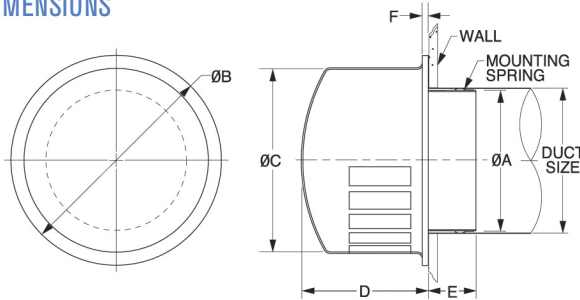
FEATURES

- With Back-Draft Damper (RCC-S)
- Large Free Area Reduces Clogging
- Available for Standard Duct Sizes in 4" and 6" Round
- Made from 304 Stainless Steel
- Designed for Weather Resistance
- Available with Bug Screen (RCA-S only-Model RCA-SN)

The RCA-S and the damper-equipped RCC-S Dryer Vents are made from polished 304 stainless steel making them durable and weather resistant. Designed for exterior applications, both models are easy to install and have large openings to reduce clogging. RCA-S is suited to exhaust fan applications such as dryer, bathroom, or kitchen exhaust venting. The heavy-gauge stainless steel construction is corrosion-resistant for durability.

Note: No louver manufacturer warrants their louver to prevent water penetration under all possible circumstances of wind and rain.

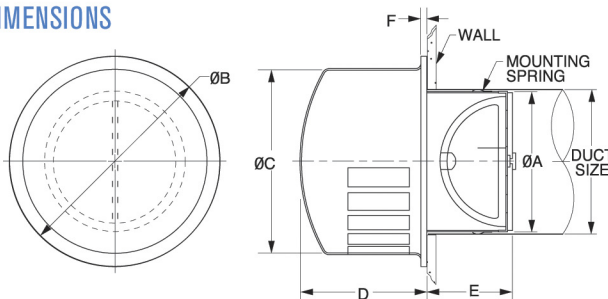
MODEL RCA-S DIMENSIONS



MODEL	DUCT SIZE	A	B	C	D	E	F	FREE AREA
RCA 4S	4	3 25/32	6 1/2	5 1/2	3 3/4	1 9/16	1/4	0.08 sq.ft.
RCA 6S	6	5 23/32	8 17/32	7 15/32	5 1/8	1 31/32	1/4	0.18 sq.ft.

Product information is subject to change without notice. All dimensions in inches.

MODEL RCC-S DIMENSIONS



MODEL	DUCT SIZE	A	B	C	D	E	F	FREE AREA
RCC 4S	4	3 25/32	6 1/2	5 1/2	3 3/4	2 5/32	1/4	0.07 sq.ft.
RCC 6S	6	5 23/32	8 17/32	7 15/32	5 1/8	3 3/4	1/4	0.16 sq.ft.

Product information is subject to change without notice. All dimensions in inches.

