

Air Shower Nozzles (for Cleanroom)

Model: **PK-A & PK-AD**



Model: **PK-AD**
(with Damper)



Model: **PK-A**
(without Damper)



MATERIAL

- Aluminum

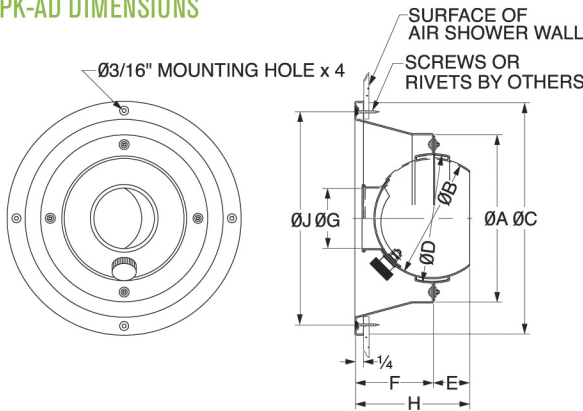
FINISH

- Clear Anodized
- Custom Colors Available

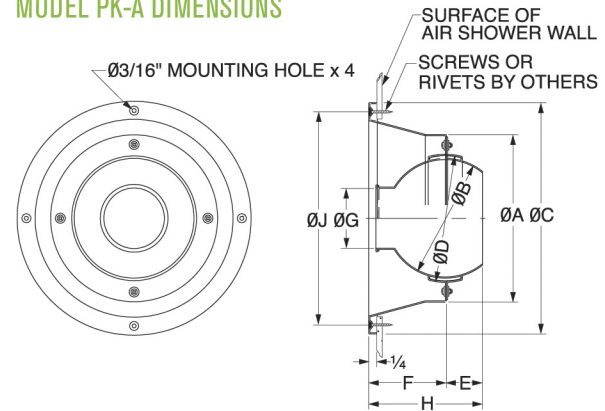
Seiho's compact Model PK-AD and PK-A Aluminum Wall/Ceiling Spot Diffusers are specially designed for a flush flange mounting to wall and ceiling construction within air shower systems. The flush-mount nozzles offer efficient use of space within the air shower chamber while providing complete directional adjustability for operational flexibility. The nozzles are arranged on walls and ceilings in a uniform pattern to ensure effective distribution of filtered air. The PK-AD features directional air stream control and precision air flow adjustment, whereas the PK-A is capable of directional control only. The heavy-gauge anodized aluminum is corrosion-resistant for years of service. The finished aluminum integrates seamlessly with various types of air shower systems.



MODEL PK-AD DIMENSIONS



MODEL PK-A DIMENSIONS



MODEL	PK SIZE	A	B	C	D	E	F	G	H	J
PK 3AD PK 3A	PK 3	4 5/16	2 15/16	6 3/16	3 7/32	2 1/32	2 3/16	1 1/2	2 27/32	5 19/32
PK 4AD PK 4A	PK 4	5 5/16	3 15/16	7 9/32	4 7/32	1 5/16	2 3/4	1 31/32	3 11/16	6 11/16

Product information is subject to change without notice. All dimensions in inches.

MODEL PK-AD & PK-A PERFORMANCE DATA

SIZE	Approx. Nozzle Velocity Terminal Velocity, Vt	500				1000				1500				2000				2500				3000				3500				4000			
		50	100	200	400	50	100	200	400	50	100	200	200	50	100	200	400	50	100	200	400	50	100	200	400	50	100	200	400	50	100	200	400
3	CFM	5				10				15				20				25				35				40				45			
	SP(in.,wg)	0.01				0.03				0.09				0.19				0.31				0.75				0.82				1.10			
	NC	-				-				-				<20				<20				21				23				25			
	Throw(ft.)	7	5	2	-	12	7	3	-	18	9	6	2	25	12	7	3	31	15	8	4	50	25	12	6	55	27	13	7	60	30	15	8
4	CFM	10				20				30				40				50				60				70				80			
	SP(in.,wg)	0.01				0.05				0.14				0.25				0.39				0.56				0.80				1.05			
	NC	-				-				<20				<20				21				24				28				32			
	Throw(ft.)	9	6	3	-	18	10	5	-	27	14	7	3	36	18	9	5	44	23	12	6	53	28	14	7	65	32	16	8	75	37	18	9

DASHED LINE IN NC BOX INDICATES NOISE LEVEL IS LESS THAN 20.

NC LEVEL IS BASED ON 10dB ROOM AT XENUATION(PWL RE:10-12 WATXS) WITH ONE DIFFUSER OPERATING.