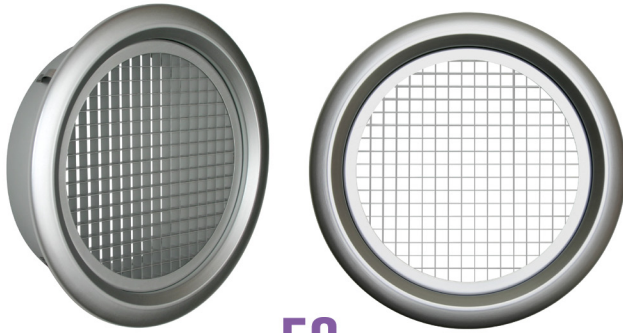


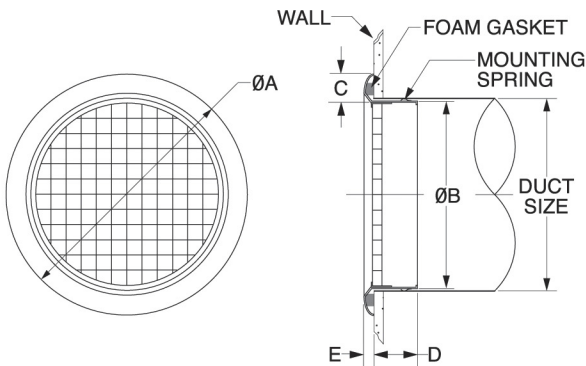
Round Lattice Grille



Model: **EC**

Model EC Round Lattice Grille is designed for use in residential and commercial applications. The model EC can be used for exhaust, return or supply applications with a low air resistance and low noise levels, and can be installed on a wall or mounted on ductwork with spring clip. The model EC is constructed of a heavy gauge aluminum frame with 1/2" x 1/2" thin aluminum lattice. The standard finish is clear anodized finish.

MODEL EC DIMENSIONS



MATERIAL FINISH

- Aluminum
- Clear Anodized
- Custom Colors Available

MODEL	DUCT SIZE	LATTICE	A	B	C	D	E	FREE AREA
EC 8	8	1/2 x 1/2	10 1/16	7 9/16	1 1/4	3	15/32	0.22sq.ft.
EC 10	10	1/2 x 1/2	12 1/32	9 17/32	1 1/4	3	15/32	0.37sq.ft.
EC 12	12	1/2 x 1/2	14	11 1/2	1 1/4	3	19/32	0.56sq.ft.

Product information is subject to change without notice. All dimensions in inches.

Butterfly Damper



Model: **BS**

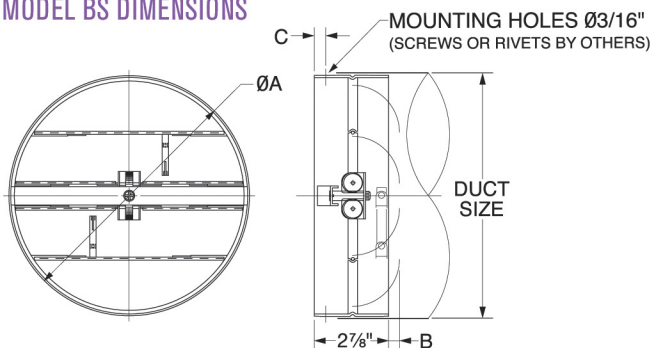
Model BS damper with multiple blades is designed for air volume control for round ducts. Continuously adjustable from the face with a screwdriver for quick and easy volume control just by twisting until the desired setting is reached. The multiple blades provide more precise control. All-steel construction for durability.

*Note: Not for use with flexible ducts.

MATERIAL FINISH

- Heavy Gauge Steel
- Black

MODEL BS DIMENSIONS



MODEL	DUCT SIZE	A	B	C
BS 6	6	5 11/16	22/32	22/32
BS 8	8	7 21/32	3/32	22/32
BS 10	10	9 5/8	19/32	22/32
BS 12	12	11 5/8	1 1/16	22/32
BS 14	14	13 5/8	1 9/16	22/32
BS 16	16	15 9/16	2 1/32	22/32
BS 20	20	19 1/2	3 1/32	22/32
BS 24	24	23 7/16	4 1/32	22/32

Product information is subject to change without notice. All dimensions in inches.