

NEW!



Model: **CFX**

NEW!



Model: **CFXC** (with Backdraft Damper)



MATERIAL

- Aluminum

FINISH

- Anodized
- Custom Colors Available

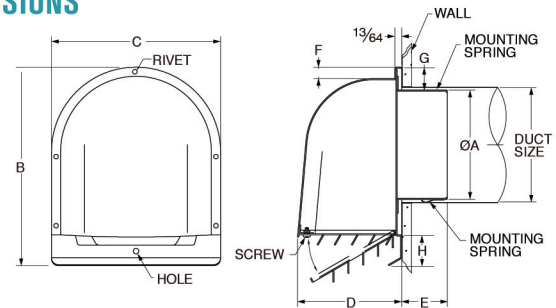
The new CFX hooded vent cap is similar to Model SFX, except the horizontal louvers are facing down. The benefit with the louver plate is that it can be easily opened for regular cleaning. This model is ideal for exteriors where protection from the elements is necessary and not already carried out by the building design. Insect screen and spring loaded backdraft damper are optional.

FEATURES

- All Aluminum Construction
- Large Vents Reduce Clogging
- Designed for Weather Resistance
- Available with Bug Screen (Model CFX-N)

DIMENSIONS

CFX



MODEL	DUCT SIZE	A	B	C	D	E	F	G	H	FREE AREA
CFX 3	3"	2 ¹³ / ₁₆	7 ⁹ / ₁₆	5 ⁷ / ₈	3 ⁷ / ₈	1 ¹ / ₁₆	7 ¹ / ₁₆	2 ⁵ / ₃₂	1 ³ / ₈	0.03 sq.ft
CFX 4	4"	3 ¹³ / ₁₆	7 ⁹ / ₁₆	5 ⁷ / ₈	3 ⁷ / ₈	1 ¹ / ₁₆	7 ¹ / ₁₆	2 ⁵ / ₃₂	1 ³ / ₈	0.03 sq.ft
CFX 5	5"	4 ²³ / ₃₂	9 ⁹ / ₁₆	7 ²⁹ / ₃₂	5 ⁷ / ₃₂	2	1 ¹⁹ / ₃₂	2 ²⁹ / ₃₂	1 ³ / ₈	0.08 sq.ft
CFX 6	6"	5 ²³ / ₃₂	9 ⁹ / ₁₆	7 ²⁹ / ₃₂	5 ⁷ / ₃₂	2 ⁹ / ₁₆	1 ¹⁹ / ₃₂	2 ²⁹ / ₃₂	1 ³ / ₈	0.08 sq.ft
CFX 7	7"	6 ¹¹ / ₁₆	11 ⁷ / ₁₆	9 ¹⁷ / ₃₂	6 ³¹ / ₃₂	2 ⁹ / ₁₆	1 ¹⁹ / ₃₂	2 ²⁹ / ₃₂	1 ³ / ₈	0.14 sq.ft
CFX 8	8"	7 ¹¹ / ₁₆	11 ⁷ / ₁₆	9 ¹⁷ / ₃₂	6 ³¹ / ₃₂	2 ³¹ / ₃₂	1 ¹⁹ / ₃₂	2 ²⁹ / ₃₂	1 ³ / ₈	0.17 sq.ft
CFX10	10"	9 ²¹ / ₃₂	16 ³ / ₄	12 ¹⁹ / ₃₂	9 ¹ / ₄	2 ³¹ / ₃₂	1 ¹⁹ / ₃₂	1 ³¹ / ₃₂	1 ³¹ / ₃₂	0.23 sq.ft
CFX12	12"	11 ⁵ / ₈	16 ³ / ₄	12 ¹⁹ / ₃₂	9 ¹ / ₄	2 ³¹ / ₃₂	1 ¹⁹ / ₃₂	1 ³¹ / ₃₂	1 ³¹ / ₃₂	0.26 sq.ft

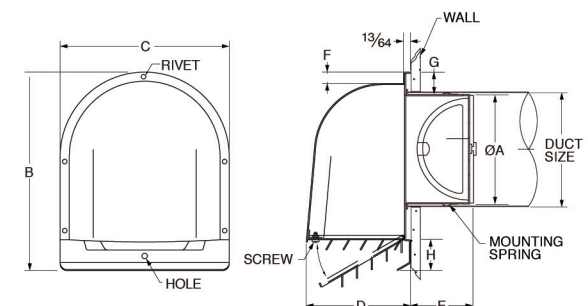
Dimensions are in inches. Product information is subject to change without notice.

- Grille can be opened outwards for easy maintenance and cleaning

- Long hood design provides excellent water protection



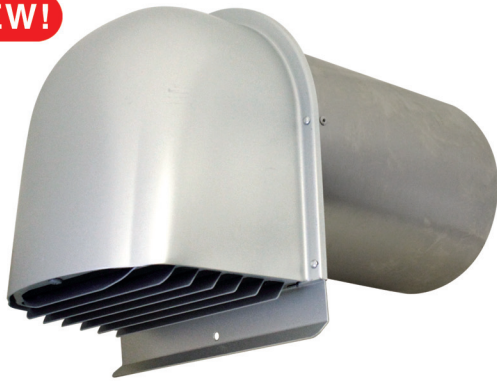
CFXC



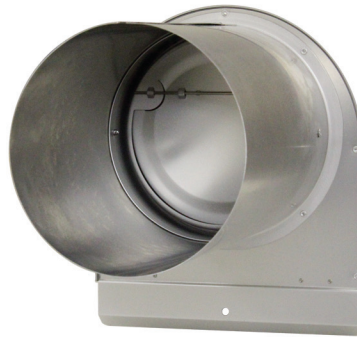
MODEL	DUCT SIZE	A	B	C	D	E	F	G	H	FREE AREA
CFXC 4	4"	3 ¹³ / ₁₆	7 ⁹ / ₁₆	5 ⁷ / ₈	3 ⁷ / ₈	2 ⁵ / ₃₂	7 ¹ / ₁₆	2 ⁵ / ₃₂	1 ³ / ₈	0.03 sq.ft
CFXC 6	6"	5 ²³ / ₃₂	9 ⁹ / ₁₆	7 ²⁹ / ₃₂	5 ⁷ / ₃₂	3 ³ / ₄	1 ¹⁹ / ₃₂	2 ²⁹ / ₃₂	1 ³ / ₈	0.08 sq.ft

Dimensions are in inches. Product information is subject to change without notice.

NEW!



Model: **CFX-P**



Model: **CFXF-P**
(with Backdraft Flapper Damper)

MATERIAL

- Aluminum

FINISH

- Anodized
- Custom Colors Available

Our dryer vents CFX is now available with a rigid, heavy-duty 8 1/2" long aluminum pipe attached to it. The round pipe is ideal for through-the-wall mounting, and is available in two sizes, 4" and 6". The CFXF-P Dryer Vents come standard with a flapper damper, preventing outside air from back-drafting into the house through the dryer. The heavy-gauge anodized aluminum construction is corrosion-resistant for durability.

FEATURES

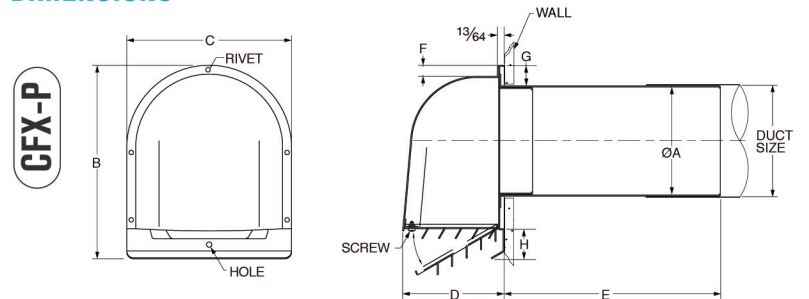
- With Heavy Duty 8 1/2" Aluminum Pipe
- All Aluminum Construction
- Designed for Weather Resistance
- Standard with backdraft Flapper Damper (Model CFXF-P)
- Available with Bug Screen (Model CFX-PN)



■ Large Vents Reduce Clogging

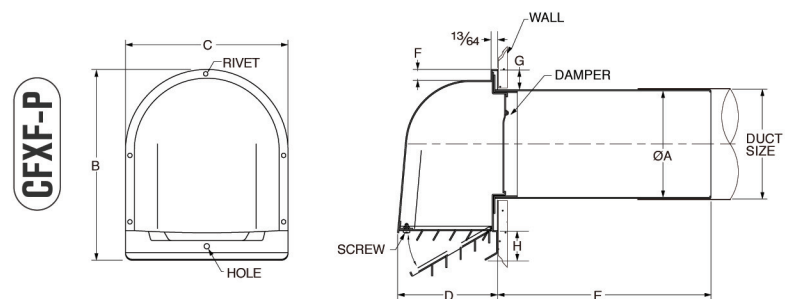
■ Standard with backdraft flapper damper (CFXF-P)

DIMENSIONS



MODEL	DUCT SIZE	A	B	C	D	E	F	G	H	FREE AREA
CFX 4P	4"	3 13/16	7 7/16	5 7/8	3 7/8	8 1/2	7/16	25/32	1 3/8	0.03sq.ft
CFX 6P	6"	5 23/32	9 3/8	7 29/32	5 7/32	8 1/2	15/32	29/32	1 3/8	0.08sq.ft

Dimensions are in inches. Product information is subject to change without notice.



MODEL	DUCT SIZE	A	B	C	D	E	F	G	H	FREE AREA
CFXF 4P	4"	3 13/16	7 7/16	5 7/8	3 7/8	8 1/2	7/16	25/32	1 3/8	0.03sq.ft
CFXF 6P	6"	5 23/32	9 3/8	7 29/32	5 7/32	8 1/2	15/32	29/32	1 3/8	0.08sq.ft

Dimensions are in inches. Product information is subject to change without notice.